



SPYDR 2x33

The **SPYDR 2 33"** Series is designed to optimize the LED light coverage for 36-inch wide grow benches and tables. Offering two levels of PPF light output and a variety of mounting options, it is a highly flexible grow light solution with easy installations for growers.

SPECIFICATIONS

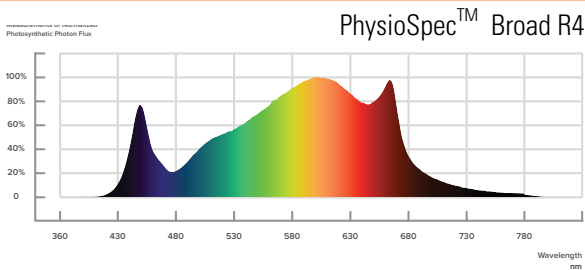
Light Source	LED
Spectrum	PhysioSpec™ Broad R4
Light Output PPF	705 μmol/s
Efficacy	2.4 μmol/J @ 277 V AC
AC Input Power	284 W @ 277 V AC
AC Input Voltage	120-277 V AC, 277-480 V AC, 50/60 Hz
Light Distribution	120°
Mounting Height Above Canopy	6" - 12" [15-30 cm]
Thermal Management	Passive
Max. Ambient Temperature	95°F [35°C], 90% RH
Dimming	Source Signal Driver, 0-10 V, Dim to Off / Dimming: 10-100%
Total Harmonic Distortion (THD)	< 10% at 100% output
Lifetime (Driver and LED L90)	> 50,000 hrs
IP Rating IEC 60529	IP66
Certifications	UL 8800, UL 1598 Wet Location, DLC
Warranty	5 Year Limited Warranty
DLC Reported Application Position/Use case	Indoor (Stacked and Non-stacked), Top light/Sole-source

NOMINAL ELECTRICAL AC INPUT*

AC VOLTAGE	120V	208V	277V	347V	480V
AC Current	2.44 A	1.44 A	1.16 A	0.86 A	0.62 A
AC Power	290 W	289 W	284 W	286 W	285 W
Power Factor	0.987	0.969	0.919	0.954	0.955

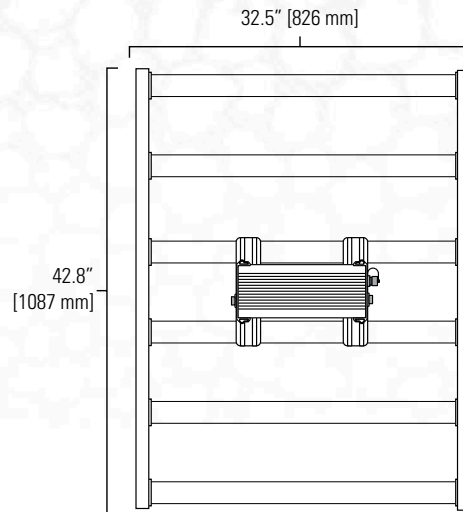
* At 77°F [25°C] ambient temperature and 100% output.

SPECTRA

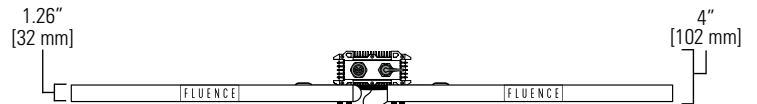


Disclaimer: Performance values are from representative tests performed in accordance industry standards listed. Actual application performance may vary due to component tolerances and installation, environmental, and field measurements conditions.

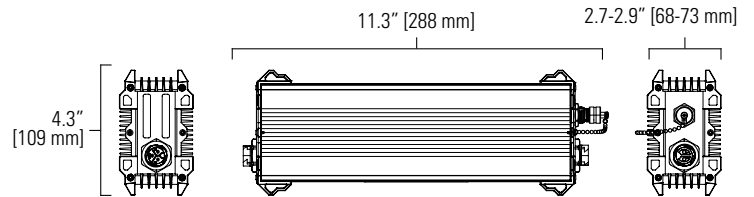
[TOP VIEW]



[SIDE VIEW]



[PSU 120-277V AND 277-480V AC]



Contact **FLUENCE**
support@fluence-led.com
www.fluence-led.com/products/spydr-series

LUMINAIRE WITH POWER SUPPLY

Description	Regional Commercial Code	Ordering PN 12NC Single Pack (-S)	Ordering PN 12NC Bulk Pack (-B)	Bulk Pack Quantity
SPYDR 2x33, Broad R4, LVG	SR-2X33-I-LVG ¹	9124 017 01677	9124 017 01686	Varies
SPYDR 2x33, Broad R4, HVG	SR-2X33-I-HVG ¹	9124 017 01678	9124 017 01687	Varies

1. Extended leadtime applies. Consult Fluence operations for details.

LUMINAIRE WITH POWER SUPPLY (Retail Kits)

Description	Regional Commercial Code	Ordering PN 12NC Single Pack
SPYDR 2x33, Broad R4, LVG, No AC Cord, Retail Kit (Includes 11" dimming cable and lance hangers)	SR-2X33-I-LV-XXX-R ¹	9124 017 01753
SPYDR 2x33, Broad R4, HVG, No AC Cord, Retail Kit (Includes 11" dimming cable and lance hangers)	SR-2X33-I-HV-XXX-R ¹	9124 017 01754

1. Extended leadtime applies. Consult Fluence operations for details.

MOUNTING HARWARE

Description	Pcs per kits	Regional Commercial Code	Ordering PN 12NC Single Pack (-S)	Ordering PN 12NC Bulk Pack (-B)	Bulk Pack Carton Quantity
Adjustable Hanging Kit	2	MT-SR-GM-05	9124 017 01641	9124 016 55893	10
Lance Wire Hanger Kit	2	MT-SR-M2-XX	9124 017 01633	9124 016 88765	20
Offset Solid Deck Mounting Kit	4	MR-S2-SD-OS	9124 017 01630	9124 016 88762	20
Solid Deck Wire Hanger Kit 4.38 IN	4	MR-S2-SD-XX	9124 017 01638	9124 016 55894	20
Waterfall Wire Hanger Kit, Twisted V (8.375")	4	MR-S2-WL-XX	9124 017 01639	9124 016 55895	20
Waterfall Wire Hanger Kit, Twisted V (5.5")	4	MR-S2-WS-XX	9124 017 01640	9124 016 88763	20
PIPP Rack Hanger Kit - ABS Tray (4" Spacing)	4	MR-S2-VS-XX	9124 017 01632	9124 016 88771	20
PIPP Rack Hanger Kit - ABS Tray with VAS (6" Spacing)	4	MR-S2-VL-XX	9124 017 01631	9124 016 56014	20
PIPP Rack Hanger Kit - ABS Tray with VAS Long (8" Spacing)	4	MR-S2-VL-XL ¹	9124 017 01761	9124 017 01760	20
PIPP Rack Hanger Kit - Offset Drip/Flood Tray with VAS	4	MR-S2-VL-OS ¹	9123 000 02431	9124 016 88773	20
PIPP Rack Hanger Kit - Offset Drip/Flood Tray	4	MR-S2-VS-OS	9124 017 01642	9124 016 88775	20

1. Extended leadtime applies. Consult Fluence operations for details.

DIMMING SIGNAL CABLE (Power Supply to Dimming Control)

Description	Regional Commercial Code	Ordering PN 12NC Single Pack (S)	Ordering PN 12NC Bulk Pack (B)	Bulk Pack Carton Quantity
11 IN (28 cm) Dimming Signal Cable, Pigtail, M12 Connector	CCA-XXU3T2FL3X0.3	9124 017 01621	9124 016 55902	10
5 FT (1.52 m) Dimming Signal Cable, Pigtail, M12 Connector	CCA-XXU3T2FL3X1.5	9124 017 01622	9124 016 55881	10
80 cm (31.5 IN) Dimming Signal Cable, Cca, Pigtail, M12 Connector	CCE-XXC3T2FL3X0.8 ¹	9124 017 01623	9124 016 55883	10

1. Extended leadtime applies. Consult Fluence operations for details.

AC POWER CABLE (Power Supply to AC Line)

Description	Regional Commercial Code	Ordering PN 12NC Single Pack (S)	Ordering PN 12NC Bulk Pack (B)	Bulk Pack Carton Quantity
6 FT (1.83 m) AC Extension Cable, NEMA 5-15P Plug, M19 Push Lock, Max 125 V AC	CAA-XXU3P9FN5P1.8	9124 017 01611	9124 016 88454	10
6 FT (1.83 m) AC Extension Cable, NEMA 6-15P Plug, M19 Push Lock, Max 250 V AC	CAA-XXU3P9FN6P1.8	9124 017 01613	9124 016 88456	10
6 FT (1.83 m) AC Extension Cable, NEMA L7-15P Plug, M19 Push Lock, Max 277 V AC	CAA-XXU3P9FL7P1.8	9124 017 01625	9124 016 55898	10
6 FT (1.83 m) AC Extension Cable, Pigtail, M19 Push Lock, Max 480 V AC	CAA-XXU3P9FL3X1.8	9124 017 01624	9124 016 55875	10
15 FT (4.57 m) AC Extension Cable, NEMA 5-15P Plug, M19 Push Lock, Max 125 V AC	CAA-XXU3P9FN5P4.6	9124 017 01612	9124 016 88455	5
15 FT (4.57 m) AC Extension Cable, NEMA 6-15P Plug, M19 Push Lock, Max 250 V AC	CAA-XXU3P9FN6P4.6	9124 017 01614	9124 016 88457	5
15 FT (4.57 m) AC Extension Cable, NEMA L7-15P Plug, M19 Push Lock, Max 277 V AC	CAA-XXU3P9FL7P4.6	9124 017 01626	9124 016 55899	5
15 FT (4.57 m) AC Extension Cable, Pigtail, M19 Push Lock, Max 480 V AC	CAA-XXU3P9FL3X4.6	9124 017 01610	9124 016 88461	5
6 FT (1.83 m) AC Cable, AXH3, Type I SAA Plug, M19 Push Lock Female	CAZ-XXS3P9FTIP1.8'	9124 017 01618	9124 016 88467	10
6 FT (1.83 m) AC Cable, VDE H07RN-F, Pigtail, M19 Push Lock (CE countries)	CAR-XXV3P9FL3X1.8'	9124 017 01616	9124 016 88464	10
15 FT (4.57 m) AC Cable, VDE H07RN-F, Pigtail, M19 Push Lock (CE countries)	CAR-XXV3P9FL3X4.6'	9124 017 01617	9124 016 88465	5

1. Extended leadtime applies. Consult Fluence operations for details.

LIGHT BARS

Description	Regional Commercial Code	Ordering PN 12NC Single Pack (-S)	Ordering PN 12NC Bulk Pack (-B)	Bulk Pack Pallet Quantity
SPYDR, 2x33, Light Bar, R4	SR-2I33-I	9124 017 01645	9124 016 88470	20

POWER SUPPLIES

AC Voltage	AC Connector Type	DC Current	Regional Commercial Code	Ordering PN 12NC Single Pack (-S)	Ordering PN 12NC Bulk Pack (-B)	Bulk Pack Pallet Quantity
120-277 V	M19	5.1 A	PLMG-V3B-320-051	9124 017 01657	9124 017 01667	30
277-480 V	M19	5.1 A	PHMG-V3B-320-051	9124 017 01659	9124 017 01669	30

POWER SUPPLY ACCESSORIES

Description	Used with Power Supply	Regional Commercial Code	Ordering PN 12NC Single Pack (-S)	Ordering PN 12NC Bulk Pack (-B)	Bulk Pack Carton Quantity
320W PSU Fixture Mounting Bracket Kit	PLMG-V3B-320-051 PHMG-V3B-320-051	MF-S2-MB-3V	9124 017 01634	9124 016 55908	20
320W PSU Wall/Surface Mounting Kit	PLMG-V3B-320-051 PHMG-V3B-320-051	MS-PS-MB-3V	9124 016 56290	9124 016 56012	10

DC CABLE (Fixture to Remote Power Supply)

Description	Regional Commercial Code	Ordering PN 12NC Single Pack (S)	Ordering PN 12NC Bulk Pack (B)	Bulk Pack Carton Quantity
3 FT (0.91 m) DC Extension Cable, M19 Push Lock	CDG-XXU2P9MP9F0.9	9124 017 01619	9124 016 55876	10
6 FT (1.83 m) DC Extension Cable, M19 Push Lock	CDG-XXU2P9MP9F1.8'	9124 017 01620	9124 016 55880	10

1. Extended leadtime applies. Consult Fluence operations for details.





Review our products, share your grow and stay abreast of the latest Fluence news and product releases through the channels below:



@Fluence_Global | @Fluence_LED

fluence-led.com

© Copyright 2024. Fluence Bioengineering, Inc.