

## SPYDR 2x40 480V

The **SPYDR 2 40"** Series is designed to optimize the LED light coverage for 40-inch wide grow benches and tables. Offering two levels of PPF light output and a variety of mounting options, it is a highly flexible grow light solution with easy installations for growers.



## SPECIFICATIONS

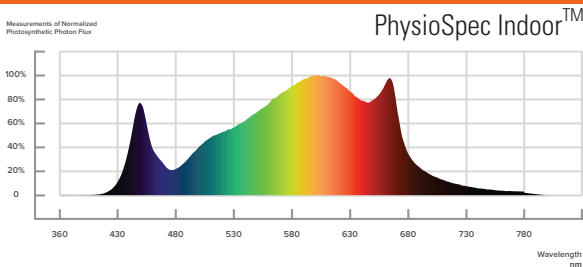
Light Source	LED
Spectrum	PhysioSpec Indoor™
Light Output PPF	852 µmol/s
Efficacy	2.49 µmol/J @ 480V AC
AC Input Power	342W @ 480V AC
AC Input Voltage	480V AC, 50/60Hz
Light Distribution	120°
Mounting Height	6" - 12" (15.2-30.5cm) Above Canopy
Thermal Management	Passive
Max. Ambient Temperature	95°F / 35°C
Dimming	10 V-Source
Total Harmonic Distortion (THD)	< 20%
Lifetime	L90: > 50,000hrs
IP Rating	IP66
Certifications	UL 8800, UL 1598 Wet Location, DLC
Warranty	5 Year Standard Warranty

### NOMINAL ELECTRICAL AC INPUT\*

AC VOLTAGE	480V
AC Current	0.71 A
AC Power	342 W
Power Factor	0.96

\* At 77°F (25°C) ambient temperature

## SPECTRA



FAMILY	MODEL	SPECTRUM	INPUT VOLTAGE	AC POWER CORD
SR	SPYDR 2x40 2x 40"x43"	I PhysioSpec Indoor™	5 480V	00 None 06 6ft (1.83m) 15 15ft (4.57m)

AC PLUG TYPE	DC EXT. CORD	MOUNTING HARDWARE	PACKAGING
000 None	00 None	00 None	S Single Pack
PTP Pigtailed	03 3 ft (.91m)	W Waterfall Mounts	B15 Bulk Pack (15 QTY)
	06 6 ft (1.83m)	S Solid-Decking Mounts	
		M 2-Point Hanging Lances	
		A Adjustable Hanging Kit	
		L Long V Mounts	
		O Offset Solid Deck Mounting Kit	
		V VAS Mounting Kit	
		LV Wire Form PIPP VAS	
		LC Wire Form PIPP VAS Short	
		OV Offset PIPP VAS Long	
		OC Offset PIPP VAS Short	

\*Please contact sales for more mounting options

### Note :

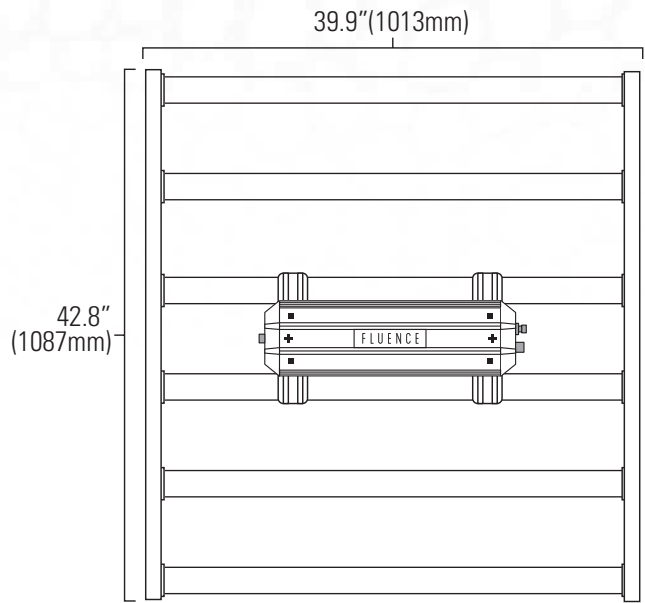
DC Dimming signal cable not included in the product. Must be ordered separately as an accessory.

DC DIMMING SIGNAL CABLE (Power Supply to Dimming Control)	QTY/Power Supply	Ordering Code	QTY/ Carton
10-IN (0.25 m) dimming signal cable, pigtail, M16 connector	1 pc	CDMA-70912-10	10 pcs
5-FT (1.5 m) dimming signal cable, pigtail, M16 connector	1 pc	CDMA-71388-10	10 pcs

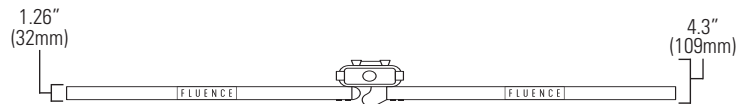
## DIMENSIONS

Part	Length	Width	Height	Weight
SPYDR 2x 40" Light Fixture	39.9" 1013mm	42.80" 1087mm	1.26" 32mm	14.0 lbs 6.4 kg
PSE Power Supply 342W AC	21.87" 555mm	6.24" 159mm	2.88" 73mm	8.2 lbs 3.7 kg

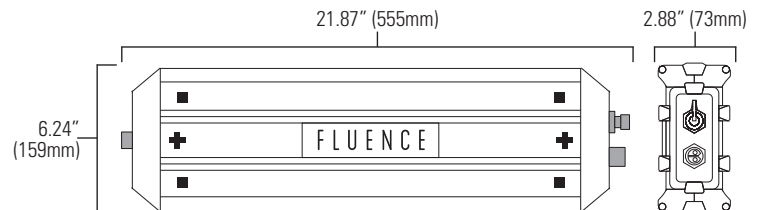
[ TOP VIEW ]



[ SIDE VIEW ]



[ PSE POWER SUPPLY ]



Contact **FLUENCE**

support@fluencebioengineering.com

www.fluence.science/SPYDR

© Copyright 2022 Fluence Bioengineering 2022-04  
Subject to change without notice, Tolerance ±10%  
Horticultural lighting | Not suitable for household illumination.