



SPYDR 2x47

SPYDR 2x is an early-development stage top-lighting solution for commercial horticulture cultivation, or a full-cycle top-lighting solution for home hobbyists cultivating without CO₂ supplementation at ambient conditions around 400 ppm.



SPECIFICATIONS

Light Source	LED
Spectrum	PhysioSpec™ Broad R4
Light Output PPF	860 µmol/s
Efficacy	2.5 µmol/J @ 277 V AC
AC Input Power	348 W @ 277 V AC
AC Input Voltage	120-277 V AC, 347-400 V AC, 50/60Hz
Light Distribution	120°
Mounting Height Above Canopy	6" - 12" [15-30 cm]
Thermal Management	Passive
Max. Ambient Temperature	95°F [35°C], 90% RH
Dimming	Off/on 0/1-10 V sink dimming, source driver
Total Harmonic Distortion (THD)	< 10% at 100% output
Lifetime (Driver and LED L90)	> 50,000 hrs
IP Rating IEC 60529	IP66
Certifications	UL 8800, UL 1598 Wet Location, DLC
Warranty	5 Year Limited Warranty

NOMINAL ELECTRICAL AC INPUT*

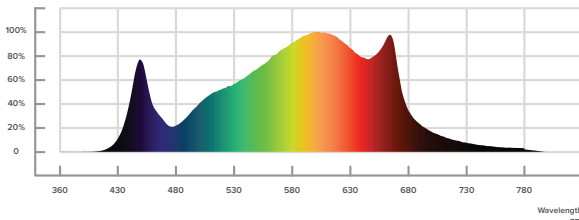
AC VOLTAGE	120V	208V	277V	347V	400V
AC Current	2.97 A	1.70 A	1.38 A	1.05 A	0.91 A
AC Power	354 W	346 W	348 W	342 W	341 W
Power Factor	0.997	0.975	0.913	0.939	0.933

* At 77°F [25°C] ambient temperature

SPECTRA

Measurements of Normalized
Photosynthetic Photon Flux

PhysioSpec™ Broad R4



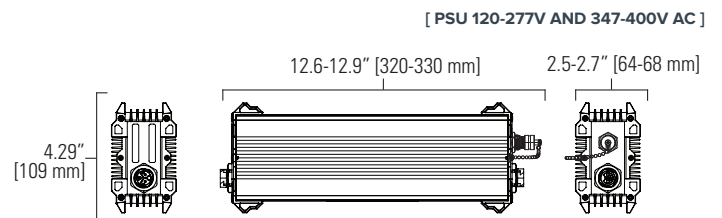
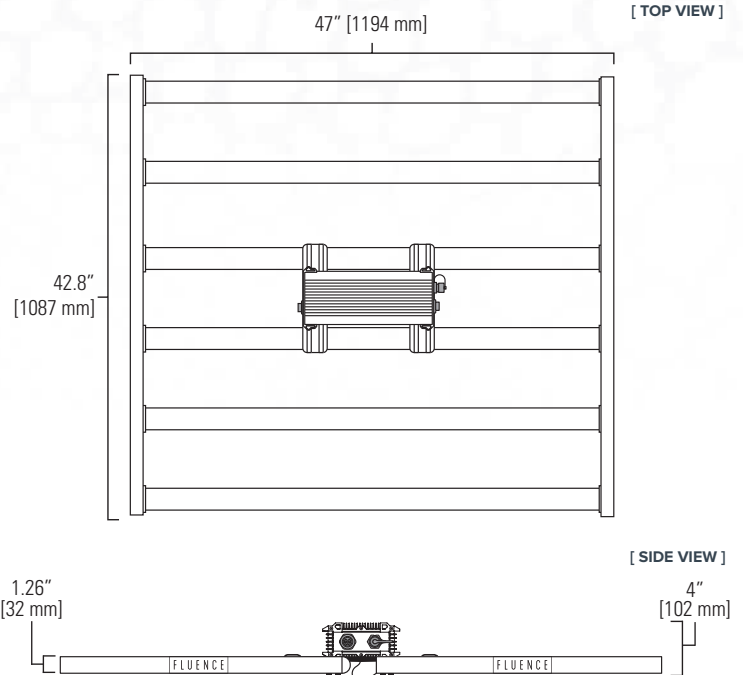
FAMILY	MODEL	SPECTRUM	INPUT VOLTAGE	AC POWER CORD
SR	SPYDR 2x47	PhysioSpec™ Broad R4	LVG 120-277V HVE 347-400V	00 None 06 6 ft (1,8 m) 15 15 ft (4,6 m)

AC PLUG TYPE	DC EXT. CORD	MOUNTING HARDWARE	PACKAGING
000	None	00 None	S Single Pack
N5P	NEMA 5-15p	03 3 ft (0,9 m)	W Waterfall Mounts
N6P	NEMA 6-15P	06 6 ft (1,8 m)	S Solid-Decking Mounts
L7P	NEMA L7-15P	M 2-Point Hanging Lances	A Adjustable Hanging Kit
PTP	Pigtails	L Long V Mounts	O Offset Solid Deck Mounting Kit
		V VAS Mounting Kit	LV Wire Form VAS
		LC Wire Form VAS Short	OV Offset VAS Long
		OC Offset VAS Short	

Note :
DC Dimming signal cable not included in the product.
Must be ordered separately as an accessory.

*Please contact sales for more mounting options

DC DIMMING SIGNAL CABLE (Power Supply to Dimming Control)	QTY/ Power Supply	Ordering Code	QTY/ Carton
11 in (0,3 m) dimming signal cable, pigtail, M12 connector	1 pc	CDMA-71561-10	10 pcs
5-FT (1,5 m) dimming signal cable, pigtail, M12 connector	1 pc	CDMA-71560-10	10 pcs



Disclaimer: Performance values are from representative tests performed in accordance industry standards listed. Actual application performance may vary due to component tolerances and installation, environmental, and field measurements conditions.



Contact **FLUENCE**
support@fluence.science
www.fluence.science/SPYDR