



SPYDR 2h47

The **SPYDR 2h** is a high-output multi-tier grow light for commercial cultivation environments, producing a photosynthetic photon flux (PPF) of 2,180 $\mu\text{mol/s}$. With strong uniformity and our PhysioSpec™ broad R4 spectrum, SPYDR 2h is designed to maximize yields for growers incorporating high-intensity lighting and cultivation strategies.

SPECIFICATIONS

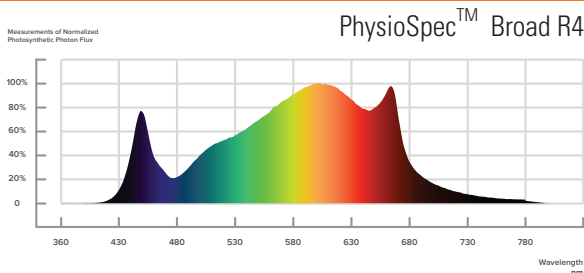
| | |
|-----------------------------------|--|
| Light Source | LED |
| Spectrum | PhysioSpec™ Broad R4 |
| Light Output PPF | 2180 μmol/s |
| Efficacy | 2.75 μmol/J @ 277 V AC |
| AC Input Power | 790 W @ 277 V AC |
| AC Input Voltage | 230-480 V AC, 50/60 Hz |
| Light Distribution | 120° |
| Mounting Height Above Canopy | 6" - 12" [15-30 cm] |
| Thermal Management | Passive |
| Max. Ambient Temperature/Humidity | 95°F [35°C], 90% RH |
| Dimming | Off/on 0/1-10 V sink dimming, source driver |
| Total Harmonic Distortion (THD) | < 10% at 100% output |
| Lifetime (Driver and LED Q90) | > 50,000 hrs |
| IP Rating per IEC 60598-1 | IP66 |
| Certifications | IEC60598-1, UL 8800, UL 1598 Wet Location, DLC |
| Warranty | 5 Year Limited Warranty |
| Electrical Insulation | Class III (IEC 60598-1 Luminaire) |

NOMINAL ELECTRICAL AC INPUT*

| AC VOLTAGE | 230 V | 277 V | 347 V | 480 V |
|--------------|--------|--------|--------|--------|
| AC Current | 3.63 A | 2.87 A | 2.34 A | 1.70 A |
| AC Power | 797 W | 790 W | 789 W | 784 W |
| Power Factor | 0.99 | 0.99 | 0.99 | 0.96 |

* At 77°F [25°C] ambient temperature and 100% output.

SPECTRA

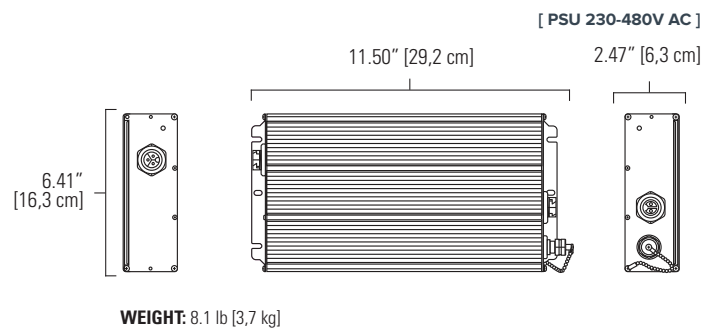
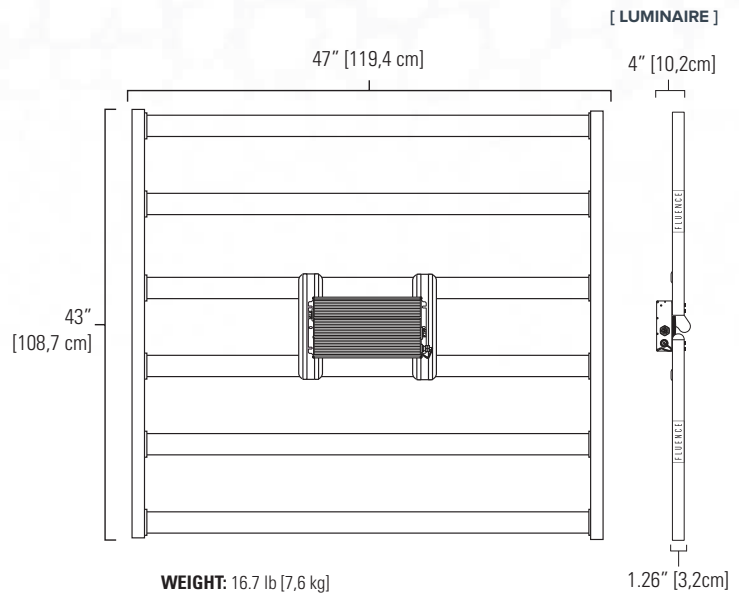


| FAMILY | MODEL | SPECTRUM | INPUT VOLTAGE | AC POWER CORD |
|--------|-----------------------|------------------------|---------------|-------------------------------------|
| SR | SPYDR 2h47 2h 47"x43" | I PhysioSpec™ Broad R4 | HVG 230-480V | 06 6 ft (1,8 m) 15 15 ft (4,6 m) |

| AC PLUG TYPE | DC EXT. CORD | MOUNTING HARDWARE | PACKAGING |
|------------------------|------------------------|---|----------------------|
| N6P NEMA 6-15P | 00 None | W Waterfall Mounts | S Single Pack |
| L7P NEMA L7-15P | 03 3 ft (0,9 m) | S Solid-Decking Mounts | B Bulk Pack |
| PTP Pigtails | 06 6 ft (1,8 m) | M 2-Point Hanging Lances | |
| | | A Adjustable Hanging Kit | |
| | | L Long V Mounts | |
| | | O Offset Solid Deck Mounting Kit | |
| | | V VAS Mounting Kit | |
| | | LV Wire Form PIPP VAS | |
| | | LC Wire Form PIPP VAS Short | |
| | | OV Offset PIPP VAS Long | |
| | | OC Offset PIPP VAS Short | |

Note :
DC Dimming signal cable not included with the product.
Must be ordered separately as an accessory.

| DC DIMMING SIGNAL CABLE (Power Supply to Dimming Control) | QTY/ Power Supply | Ordering Code | QTY/ Carton |
|--|-------------------|---------------|-------------|
| 11 in (0.3 m) dimming signal cable, pigtail, M12 connector | 1 pc | CDMA-71561-10 | 10 pcs |
| 5-FT (1.53 m) dimming signal cable, pigtail, M12 connector | 1 pc | CDMA-71560-10 | 10 pcs |



Disclaimer: Performance values are from representative tests performed in accordance industry standards listed. Actual application performance may vary due to component tolerances and installation, environmental, and field measurements conditions.



Contact **FLUENCE**
support@fluence.science
www.fluence.science/SPYDR