



SPYDR 2h47

The **SPYDR 2h** is a high-output multi-tier grow light for commercial cultivation environments, producing a photosynthetic photon flux (PPF) of 2,180 $\mu\text{mol/s}$. With strong uniformity and our PhysioSpec™ broad R4 spectrum, SPYDR 2h is designed to maximize yields for growers incorporating high-intensity lighting and cultivation strategies.



SPECIFICATIONS

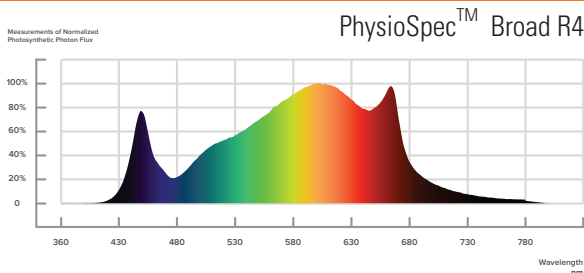
Light Source	LED
Spectrum	PhysioSpec™ Broad R4
Light Output PPF	2180 μmol/s
Efficacy	2.75 μmol/J @ 277 V AC
AC Input Power	790 W @ 277 V AC
AC Input Voltage	230-480 V AC, 50/60 Hz
Light Distribution	120°
Mounting Height Above Canopy	6" - 12" [15-30 cm]
Thermal Management	Passive
Max. Ambient Temperature/Humidity	95°F [35°C], 90% RH
Dimming	Off/on 0/1-10 V sink dimming, source driver
Total Harmonic Distortion (THD)	< 10% at 100% output
Lifetime (Driver and LED Q90)	> 50,000 hrs
IP Rating per IEC 60598-1	IP66
Certifications	IEC60598-1, UL 8800, UL 1598 Wet Location, DLC
Warranty	5 Year Limited Warranty
Electrical Insulation	Class III (IEC 60598-1 Luminaire)

NOMINAL ELECTRICAL AC INPUT*

AC VOLTAGE	230 V	277 V	347 V	480 V
AC Current	3.63 A	2.87 A	2.34 A	1.70 A
AC Power	797 W	790 W	789 W	784 W
Power Factor	0.99	0.99	0.99	0.96

* At 77°F [25°C] ambient temperature and 100% output.

SPECTRA

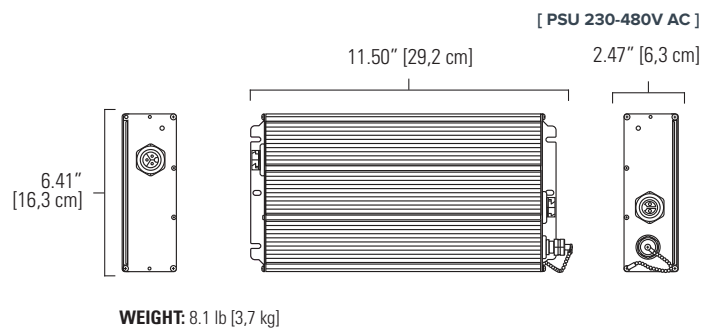
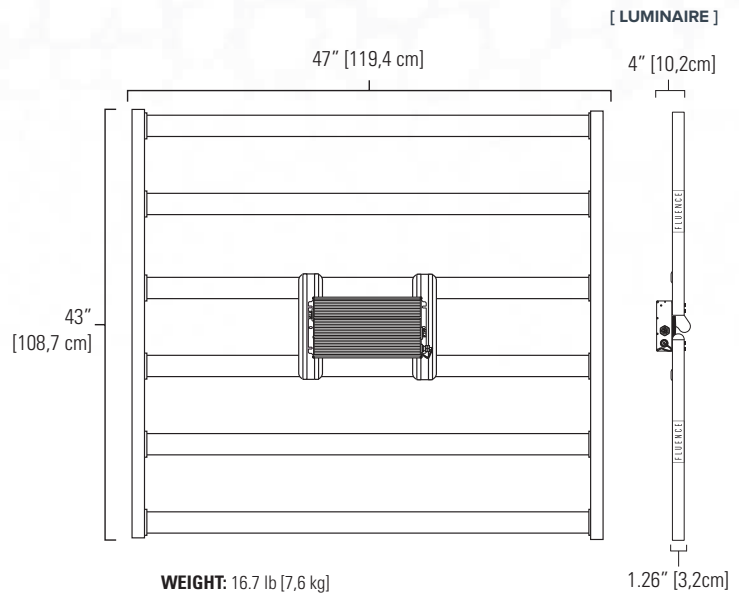


FAMILY	MODEL	SPECTRUM	INPUT VOLTAGE	AC POWER CORD
SR	SPYDR 2h47	PhysioSpec™ Broad R4	HVG 230-480V	06 6 ft (1,8 m) 15 15 ft (4,6 m)

AC PLUG TYPE	DC EXT. CORD	MOUNTING HARDWARE	PACKAGING
N6P NEMA 6-15P	00 None	W Waterfall Mounts	S Single Pack
L7P NEMA L7-15P	03 3 ft (0,9 m)	S Solid-Decking Mounts	B Bulk Pack
PTP Pigtails	06 6 ft (1,8 m)	M 2-Point Hanging Lances	
		A Adjustable Hanging Kit	
		L Long V Mounts	
		O Offset Solid Deck Mounting Kit	
		V VAS Mounting Kit	
		LV Wire Form PIPP VAS	
		LC Wire Form PIPP VAS Short	
		OV Offset PIPP VAS Long	
		OC Offset PIPP VAS Short	

Note :
DC Dimming signal cable not included with the product.
Must be ordered separately as an accessory.

DC DIMMING SIGNAL CABLE (Power Supply to Dimming Control)	QTY/ Power Supply	Ordering Code	QTY/ Carton
11 in (0.3 m) dimming signal cable, pigtail, M12 connector	1 pc	CDMA-71561-10	10 pcs
5-FT (1.53 m) dimming signal cable, pigtail, M12 connector	1 pc	CDMA-71560-10	10 pcs



Disclaimer: Performance values are from representative tests performed in accordance industry standards listed. Actual application performance may vary due to component tolerances and installation, environmental, and field measurements conditions.



Contact **FLUENCE**
support@fluence.science
www.fluence.science/SPYDR