

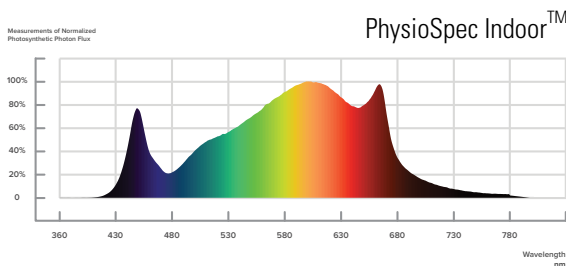
SPYDR 2i40 EU

The **SPYDR 2 40" Series** is designed to optimize the LED light coverage for 40-inch wide grow benches and tables. Offering two levels of PPF light output and a variety of mounting options, it is a highly flexible grow light solution with easy installations for growers.

SPECIFICATIONS

Light Source	LED
Spectrum	PhysioSpec™ Broad R4
Light Output PPF	1600 µmol/s
Efficacy	2,4 µmol/J @230V and 2,5 µmol/J @400V
AC Input Power	651W @ 230V AC, 637W @ 400V AC
AC Input Voltage	230V / 400V AC, 50/60Hz
Nominal Power Factor	0,99 @ 230V AC, 0,96 @ 400V AC at 100% output
Nominal Mains Current	2,88 A @ 230V AC, 1,65 A @ 400V AC at 100% output
Light Distribution	120°
Mounting Height Above Canopy	15cm - 30cm [6" - 12"]
Thermal Management	Passive
Max. Ambient Temperature/Humidity	35°C [95°F], 90% RH
Dimming	Off/on 0/1-10V sink dimming, source driver
Total Harmonic Distortion (THD)	< 10% at 100% output
Lifetime (Driver and LED L90)	> 50.000hrs
IP Rating IEC 60598-1	IP66
Certifications	CE, UL 8800, IEC 60598-1
Warranty	5 Year Limited Warranty
Electrical Insulation	Class III (IEC 60598-1 Luminaire)

SPECTRA

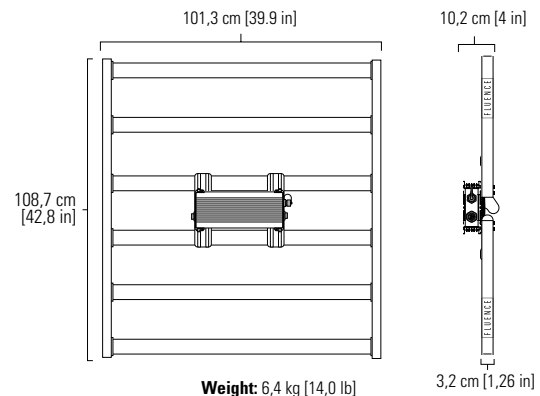


AC POWER CABLES (Power Supply to AC Line)	Quantity per Light Fixture	Ordering Code	QTY/Carton
1,8 m (6 ft) AC Cable, VDE, H07RN-F, Schuko CEE 7/7 plug, M19 Push Lock, 230 V AC	1 pc	CACE-70774-[*]	01 or 10
1,8 m (6 ft) AC Cable, VDE, H07RN-F, pigtail, M19 Push Lock (not for CE countries)	1 pc	CACE-71161-[*]	01 or 10
4,5 m (15 ft) AC Cable, VDE, H07RN-F, Schuko CEE 7/7 plug, M19 Push Lock, 230V AC	1 pc	CACE-70775-[*]	01 or 05
4,5 m (15 ft) AC Cable, VDE, H07RN-F, pigtail, M19 Push Lock (not for CE countries)	1 pc	CACE-71162-[*]	01 or 05
70 cm (27,6 in) AC Cable, Dca, pigtail, M19 Push Lock (400V CE application)	1 pc	CACE-71411-[*]	1 or 10 pcs

DC POWER CABLES (Fixture to Power Supply)	Quantity per Light Fixture	Ordering Code	QTY/Carton
90 cm (3 ft) DC Cable, M19 Push Lock	1 pc	CDCG-70720-[*]	01 or 10
1,8 m (6 ft) DC Cable, M19 Push Lock	1 pc	CDCG-70721-[*]	01 or 10

DC DIMMING SIGNAL CABLES (Power Supply to Dimming Control)	Quantity per Light Fixture	Ordering Code	QTY/Carton
80 cm (31,5 in) dimming signal cable, Cca, pigtail, M12 connector	1 pc	CDME-71526-[*]	01 or 10

Replace [*] with the quantity per carton with two digits (example: CDME-71526-01)



LUMINAIRE ORDERING CODES

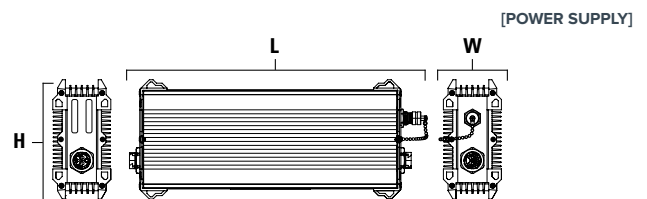
SPYDR Fixture 2i40	LS2I-10362	-	01 Single pack 15 Bulk pack
--------------------	-------------------	---	--

POWER SUPPLIES ORDERING CODES

Low Voltage, 230V	PLVG-71530	-	01 Single pack
High Voltage, 400V	PHVE-71533	-	30 Bulk pack
High Voltage, Global	PHVG-71537		

MOUNTING HARDWARE	Ordering Code	Kits [*]/ Carton
Adjustable Mounting Kit	AMS2-10310-[*]	01 or 10
Long V Mounts Kit	AMS2-10348-[*]	01 or 20
2-Point Hanging Lances Kit	AMS2-10332-[*]	01 or 20
Offset Solid Deck Mounting Kit	AMS2-10311-[*]	01 or 20
Solid-Decking Mounts Kit	AMS2-10331-[*]	01 or 20
Short V Mounts Kit	AMS2-10330-[*]	01 or 20
VAS Mounting Kit	AMS2-10349-[*]	01 or 05
PIPP Wire Hanger with VAS Kit	AMS2-10406-[*]	01 or 20
PIPP Wire Hanger with VAS Short Kit	AMS2-10412-[*]	01 or 20
Offset PIPP Drip/Flood with VAS Long Kit	AMS2-10413-[*]	01 or 20
Offset PIPP Drip/Flood with VAS Short Kit	AMS2-10414-[*]	01 or 20

Replace [*] with the kits per carton with two digits (example: AMS2-10310-01)



POWER SUPPLY	Dim L	Dim W	Dim H	Weight
LVG 600W	34-37 cm [13,4-14,5 in]	6,5-6,7 cm [2,6 in]	13,4 cm [5,3 in]	3,4-4,0 kg [7,5-8,9 lb]
HVE 600W	29-34 cm [11,5-13,4 in]	6,3-6,7 cm [2,5-2,6 in]	13,4-16,3 cm [5,3-6,4 in]	2,8-3,7 kg [6,3-8,1 lb]
HVG 600W	29-34 cm [11,5-13,4 in]	6,3-6,7 cm [2,5-2,6 in]	13,4-16,3 cm [5,3-6,4 in]	2,8-3,7 kg [6,3-8,1 lb]

Disclaimer: Performance values are from representative tests performed in accordance industry standards listed. Actual application performance may vary due to component tolerances and installation, environmental, and field measurements conditions.



Contact **FLUENCE** ☎
 emea@fluencebioengineering.com ✉
 www.fluence-led.com/spydr-series 🌐