



VYPR 2p

VYPR 2p is a full-cycle top lighting solution for high bay growing environments. VYPR 2p is ideal for greenhouse supplemental lighting or indoor sole-source lighting. VYPR 2p builds on the previous generation's VYPRx PLUS performance with nearly a 45% increase in PPF levels and a 18% increase in efficacy.



SPECIFICATIONS

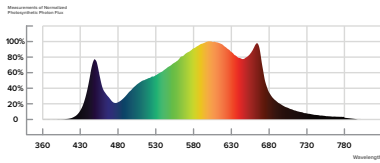
Light Source	LED
Spectrum	PhysioSpec Indoor™ PhysioSpec Greenhouse™
Light Output PPF	1700 μmol/s
Efficacy	2.7 μmol/J
AC Input Power	631W @ 277V AC
AC Input Voltage	120-277V AC, 347-480V AC, 50/60 Hz
Light Distribution	120°
Mounting Height	≥ 18" (45.7cm) Above Canopy
Thermal Management	Passive
Max. Ambient Temperature	95°F / 35°C
Dimming	10V-Source
Power Factor	> 0.97
Total Harmonic Distortion	< 10%
Lifetime	L90: > 50,000hrs
IP Rating	IP66
Certifications	UL 8800, UL 1598 Wet-Location, DLC
Warranty	5 Year Standard Warranty

NOMINAL ELECTRICAL AC INPUT*

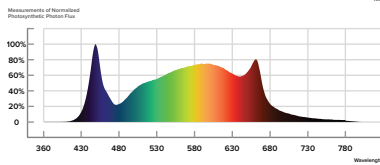
AC VOLTAGE	120V	208V	230V	277V	347V	400V	480V
AC Current	5.43 A	3.06 A	2.76 A	2.28 A	1.87 A	1.61 A	1.34 A
AC Power	652 W	636 W	635 W	631 W	648 W	645 W	644 W
Power Factor	0.997	0.99	0.99	0.98	0.995	0.99	0.97

* At 77°F (25°C) ambient temperature

SPECTRA



PhysioSpec Indoor™



PhysioSpec Greenhouse™

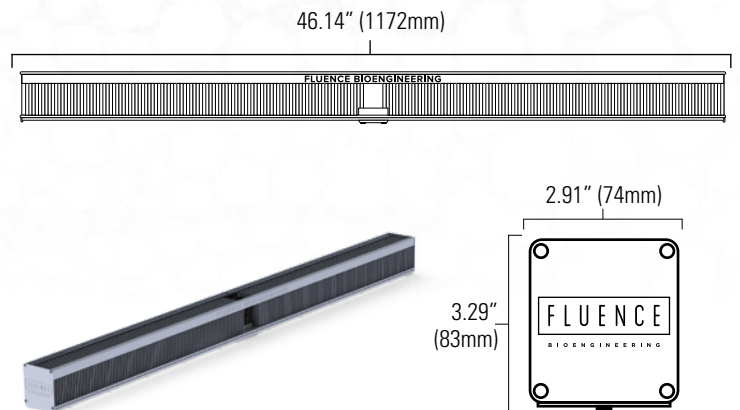
FAMILY	MODEL	SPECTRUM	INPUT VOLTAGE	AC POWER CORD
VR	VYPR 2p PLUS	I PhysioSpec Indoor™ G PhysioSpec Greenhouse™	1 120-277V 6 347-480V	06 6ft (1.83m) 15 15ft (4.57m)

AC PLUG TYPE	DC EXTENSION CORD	MOUNTING HARDWARE	PACKAGING	
N5P	NEMA 5-15p	03 3 ft (.91m)	S Square Brackets	S Single Pack (1set)
N6P	NEMA 6-15P	06 6 ft (1.83m)	U Unistrut Brackets	B20 Bulk Pack (20 sets)
L7P	NEMA L7-15P		P Pipe Brackets	
PTP	Pigtails			

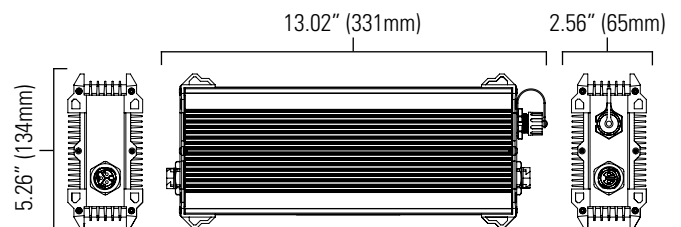
DIMENSIONS | WEIGHT

	Length	Width	Height	Weight
VYPR 2p Light Fixture SKU: VR-2P-	46.14" 1172mm	2.91" 74mm	3.29" 83mm	9.25 lbs 4.2 kg
PSU 120-277V AC SKU: VR-2P-x-1	13.02" 331mm	5.26" 134mm	2.56" 65mm	7.5 lbs 3.4 kg
PSU 347-480V AC SKU: VR-2P-x-6	11.47" 291mm	6.41" 163mm	2.47" 63mm	7.5 lbs 3.4 kg

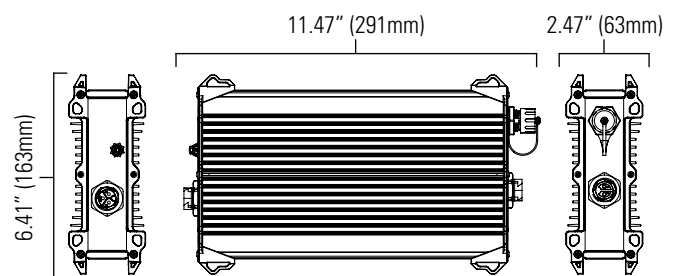
[VYPR 2p Light Fixture]



[PSU 120-277V AC]



[PSU 347-480V AC]



Contact **FLUENCE**
support@fluence-led.com
www.fluence.science/VYPR