

VYPR 4

VYPR 4 is a full-cycle top lighting solution designed for greenhouse and indoor growing environments. This new generation of the VYPR platform includes a compact form factor, increased output and even more versatility with a new wide beam optic for better uniformity at a variety of mounting heights.

SPECIFICATIONS

Light Source	LED
Spectrum	PhysioSpec™ Broad R8, R8+FR, R9, R9+FR
Output	1310 - 3030 μmol/s
Efficacy	3.2 - 3.6 μmol/J
Efficacy @50% Dimmed	3.4 - 3.9 μmol/J
AC Input Power	413W-865W @ 400V AC
AC Input Voltage	200V-480V AC, 50/60 Hz
Light Distribution	Lambertian, Wide Beam Optic
Thermal Management	Passive
Max. Ambient Temperature	104°F / 40°C
Dimming	Source Signal Driver, 0/1-10 V, OFF/ 10-100%
Power Factor	> 0.97
Total Harmonic Distortion	< 20%
Lifetime Q90	>50,000hrs
IP Rating	IP66; RH <90% non-condensing
Certifications	cETLus, CE, UKCA, Wet Location
Industry Standards	UL1598, UL8750, UL8800, IEC 60598-1
Warranty	5 Year Limited
Photobiological Safety IEC 62471	Risk Group 1

PHOTON FLUX AND EFFICACY @400V AC

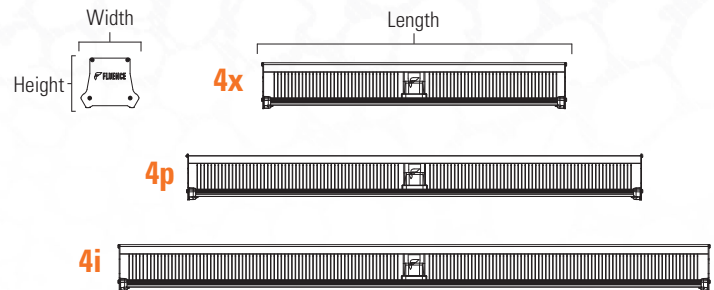
PHYSIOSPEC™ SPECTRUM / CONFIGURATION	FIXTURE	OUTPUT PPF (μmol/s) (400-700nm)	OUTPUT PF (μmol/s) (400-800nm)	Efficacy (PE) (μmol/J)	Efficacy (PE) (μmol/J) @50% Dim
BROAD R8 (BP8) CG	4x	1360	1380	3.3	3.6
BROAD R8 (BP8) WB		1310	1340	3.2	3.4
BROAD R9 (BP9) CG		1430	1450	3.5	3.7
BROAD R9 (BP9) WB		1340	1360	3.3	3.6
BROAD R8 (BP8) CG	4p	2050	2070	3.3	3.6
BROAD R8 (BP8) WB		1990	2020	3.2	3.5
BROAD R9 (BP9) CG		2130	2150	3.5	3.8
BROAD R9 (BP9) WB		1990	2010	3.3	3.6
BROAD R8 (BP8) CG	4i	2730	2760	3.3	3.6
BROAD R8 (BP8) WB		2660	2690	3.2	3.5
BROAD R9 (BP9) CG		2860	2890	3.5	3.8
BROAD R9 (BP9) WB		2670	2700	3.3	3.6
BROAD R9 High Efficiency (HP9) CG		3000	3030	3.6	3.9
BROAD R9 High Efficiency (HP9) WB		2840	2870	3.4	3.6
BROAD R8 + FAR RED (B8F) CLG		2490	2730	3.3	3.5
BROAD R8 + FAR RED (B8F) WB		2430	2660	3.2	3.4
BROAD R9 + FAR RED (B9F) CLG		2600	2850	3.4	3.6
BROAD R9 + FAR RED (B9F) WB		2540	2780	3.3	3.5

Light Distribution: CG = Clear Glass Lens (Lambertian). WB = Wide Beam Optic

Lifetime and maintenance values are given at an ambient temperature of 25 °C / 77 °F. All measured lifetimes are industry standard measurements indicating average length of operation and not a performance claim specific to any individual product

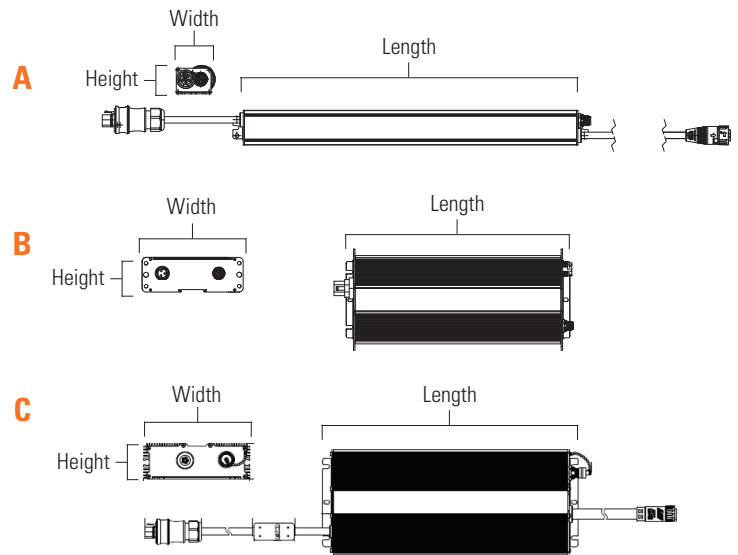
DIMENSIONS | WEIGHT

VYPR 4		Length	Width	Height	Weight
4x*	Light Bar 400w	23.6" 600mm	2.9" 107mm	3.3" 91mm	5.8 lbs 2.6 kg
	Light Bar 600w	35.5" 900mm	2.9" 107mm	3.3" 91mm	8.4 lbs 3.8 kg
4i	Light Bar 800w	46.1" 1170mm	2.9" 107mm	3.3" 91mm	11.7 lbs 5.3 kg



POWER SUPPLY

		Length	Width	Height	Weight
A	PSU 200-400V AC 600w	17.5" 445 mm	1.7" 44 mm	1.3" 32 mm	3.9 lbs 1.8 kg
	PSU 200-480V AC 800w	11.8" 300mm	6.3" 160mm	1.9" 49mm	7.5 lbs 3.4 kg
C	PSU 277-480V AC 800w Dual-Channel	13.75" 349mm	5.7" 145mm	1.9" 49mm	10.4 lbs 4.7 kg



*VYPR 4x is available in duo-mount configuration only (2 lightbars - 1 power supply) using 800w PSU B.



Contact **FLUENCE**

support@fluence-led.com

www.fluence.science/VYPR