

# SPYDRFANG

A high-performance LED grow light for craft cannabis cultivation. Enabling micro-growers to command their grow with an optimized 1600  $\mu\text{mol/s}$  (PPF) output, PhysioSpec™ Broad R4 spectrum, and included 0-100% dimmer for easy control and full-cycle cultivation.



## SPECIFICATIONS

Light Source	LED
Spectrum	PhysioSpec™ Broad R4
Light Output PPF	1600 µmol/s
Efficacy	2,6 µmol/J @ 230 V AC
AC Input Power	626 W @ 230 V AC
AC Input Voltage	230 V AC, 50/60 Hz
Light Distribution	120°
Mounting Height Above Canopy	15-30 cm [6" - 12"]
Thermal Management	Passive
Max. Ambient Temperature/Humidity	35°C [95°F], 90% RH
Dimming	Dimmer Module Included
Total Harmonic Distortion (THD)	<10% at 100% output
Lifetime (Driver and LED Q90)	> 36,000 hrs
IP Rating per IEC60598-1	IP66
Certifications	UL 8800, UL 1598, CE, IEC60598-1
Warranty	3 Year Limited Warranty

### NOMINAL ELECTRICAL AC INPUT\*

AC VOLTAGE	120 V	240 V	277 V
AC Current	5.42 A	2.79 A	2.34 A
AC Power	651 W	626 W	625 W
Power Factor	0.99	0.97	0.96

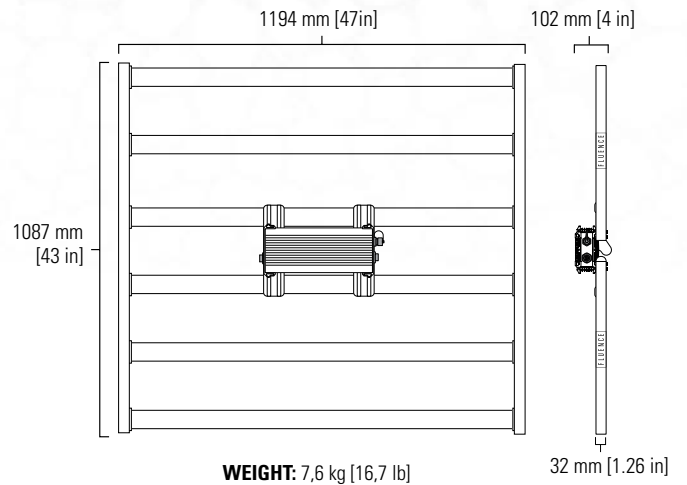
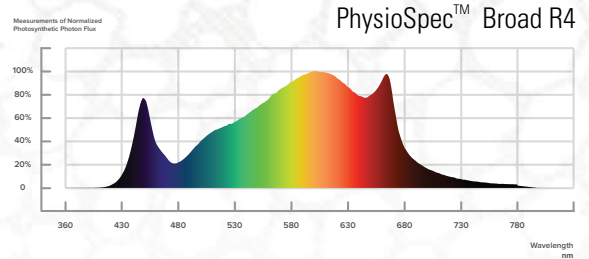
\* At 77°F [25°C] ambient temperature and 100% output.

## ORDERING CODES

Description	Regional Commercial Code	Ordering PN 12NC
SPYDR Fang, Broad R4, LVG, 1,8 m (6 ft) TH07RN-F, Schuko CEE 7/7 Plug, with Lance Hangers and Dimmer	SR-2R47-I-LV-TFP-R	9124 017 01758

ALTERNATIVE AC POWER CABLES- EUROPE (Order separately)	Regional Commercial Code	Ordering PN 12NC
4,5 m (15 ft) AC Cable, H07RN-F, Schuko CEE 7/7 Plug, M19 Push Lock, 230V AC	CAE-XXV3P9FF7P4.6S	9124 017 01615

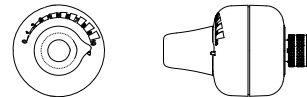
## SPECTRA



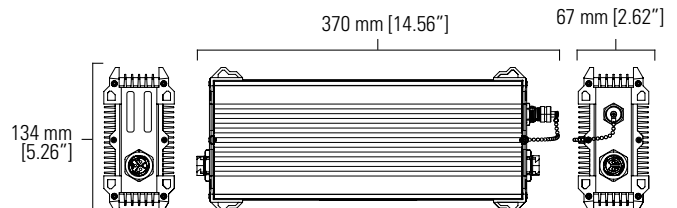
[ MOUNTING HARDWARE ]



[ DIMMER MODULE ]



[ PSU 230V AC ]



**Disclaimer:** Performance values are from representative tests performed in accordance with industry standards listed. Actual application performance may vary due to component tolerances and installation, environmental, and field measurements conditions.