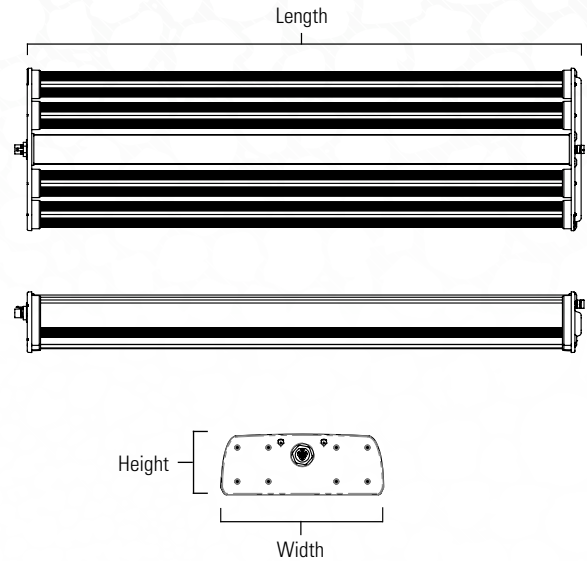


RAPTR Series

The RAPTR Series is a high-output top light ideal for 1:1 HPS replacement in controlled environment agriculture. Designed to deliver maximum intensity with industry leading efficacy, RAPTR is available with two optical distributions and is designed for high-intensity indoor horticulture and high-efficiency greenhouse applications.

SPECIFICATIONS	
Light Source	LED
AC Input Voltage	277-480 V AC, 50/60 Hz
Spectrum	Broad R4
Input Power	1020W
Power Factor	> 0.9
Output	Up to 2,640 µmol/s
Efficacy	2.6 µmol/J
Thermal Management	Passive
Power Supply	Integrated
Dimming	Source Signal Driver, 0-10V, Dimming: 10%-100%
Dimming Connector and Transmission Hardware/Type	Other Wired/M12 3-pin Male
Total Harmonic Distortion	< 10% at 60-100% of total load
Optical	120° Lambertian (Clear cover), 150° Wide
Max. Ambient Temperature	45°C [113°F]
Lifetime (Driver and LED Q90)	> 50,000 hours (at 25°C ambient)
Appliance Class	Class II (Double Insulated)
Environmental Rating	IP66 rated; RH <90% non-condensing
Certifications	cETLus, CE, UKCA, FCC Part 15 Class A
Industry Standards	UL8800, IEC 60598-1, IEC 62471, IEC 62031
Warranty	5 Year Limited Warranty
DLC Reported Controlled Environment	Indoor (Non-Stacked) or Greenhouse
DLC Reported Lighting Scheme Position / Use Case	Top Light / Sole-Source or Supplemental

DIMENSIONS					
Spectra	Power	Length	Width	Height	Weight
Broad R4	1020W	39.6" [1 m]	14.6" [37 cm]	4.1" [10,5 cm]	33 lbs [15 kg]



REGIONAL COMMERCIAL CODE FOR LIGHT FIXTURE WITH INTERNAL POWER SUPPLY

FAMILY	REGION	SPECTRUM	WATTAGE	DISTRIBUTION	INPUT VOLTAGE	CONNECTOR	PACKING
RP RAPTR	C GLOBAL A USA	BW4 BROAD R4	1K 1020 WATT	STD 120° LAMBERTIAN 150 150° WIDE	JVG 277-480 VAC	RST WIELAND (RST20i3 Gr)	S Single

PERFORMANCE DATA (400-700 nm)

PHYSIOSPEC™ SPECTRUM	CLEAR COVER (120° LAMBERTIAN)			150° WIDE		
	AC Power @ 277 V AC (W)	OUTPUT PPF (400-700 nm) (µmol/s)	Efficacy (PPE) @ 277 V AC (µmol/J)	AC Power @ 277 V AC (W)	OUTPUT PPF (400-700 nm) (µmol/s)	Efficacy (PPE) @ 277 V AC (µmol/J)
BROAD R4	1,020	2,640	2.6	1,020	2,610	2.6

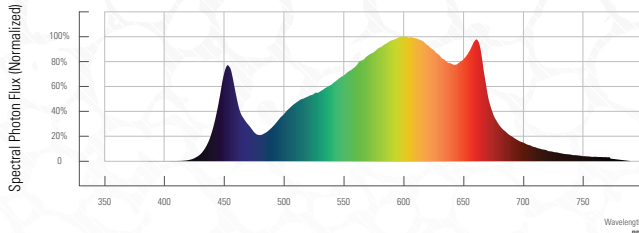
Disclaimer: Performance values are from representative tests performed in accordance industry standard LM-79 by an independent accredited laboratory (NVLAP). Actual application performance may vary due to component tolerances and installation, environmental, and field measurements conditions.



Contact **FLUENCE** @
support@fluence-led.com ✉
www.fluence-led.com/RAPTR 🌐

SPECTRUM

PhysioSpec™ BROAD R4



ORDERING CODES FOR LUMINAIRES

Description	Region	Regional Commercial Code (RCC)	Ordering PN 12NC Single Pack (S)
RAPTR, BW4, 1020W, 150, US, SP	A	RPABW41K150JVGRSTS	912401702229
RAPTR, BW4, 1020W, STD, US, SP	A	RPABW41KSTDJVGRSTS	912401702230
RAPTR, BW4, 1020W, 150, Global, SP	C	RPCBW41K150JVGRSTS	912401702249
RAPTR, BW4, 1020W, STD, Global, SP	C	RPCBW41KSTDJVGRSTS	912401702250

ORDERING CODES FOR ACCESSORIES

AC POWER CABLE -INTERNATIONAL (Luminaire to AC Line)	Quantity per Fixture	Regional Commercial Code (RCC)	Ordering PN 12NC Single Pack (S)	Ordering PN 12NC Bulk Pack (B)	Bulk Pack Carton QTY
0,9 m (3ft) AC Pigtail with Wieland Connector for Market using H07RN-F Harmonized cable	1 Pc	CAE-XXH3WGFL3X0.9	912401656073	912401656074	10
1,8 m (6ft) AC Pigtail with Wieland Connector for Market using H07RN-F Harmonized cable	1 Pc	CAE-XXH3WGFL3X1.8	912401656075	912401656076	10

DC Dimming Signal Cable - INTERNATIONAL (Luminaire to Dimming Control Line)	Quantity per Fixture	Regional Commercial Code (RCC)	Ordering PN 12NC Single Pack (S)	Ordering PN 12NC Bulk Pack (B)	Bulk Pack Carton QTY
31.5 in (80 cm) Dimming Signal Cable, Cca, Pigtail, M12 Connector	1 Pc	CCE-XXC3T2FL3X0.8	912401701623	912401655883	10

ORDERING CODES FOR ACCESSORIES (Continued)

AC POWER CABLE - AMERICAS (Luminaire to AC Line)	Quantity per Fixture	Regional Commercial Code (RCC)	Ordering PN 12NC Single Pack (S)	Ordering PN 12NC Bulk Pack (B)	Bulk Pack Carton QTY
6ft AC Pigtail with Wieland Connector for Americas	1 Pc	CAA-XXU3WGFL3X1.8	912401701601	912401656071	10
15ft AC Pigtail with Wieland Connector for Americas	1 Pc	CAA-XXU3WGFL3X4.6	912300002588	912401656072	5
6ft AC Cable Wieland Connector with L7-15P plug for Americas	1 Pc	CAA-XXU3WGFL7P1.8	912401701602	912401656069	10
15ft AC Cable Wieland Connector with L7-15P plug for Americas	1 Pc	CAA-XXU3WGFL7P4.6	912300002486	912401656070	5

AC POWER CABLE ACCESSORIES- AMERICAS	Quantity per Fixture	Regional Commercial Code (RCC)	Ordering PN 12NC Single Pack (S)	Ordering PN 12NC Bulk Pack (B)	Bulk Pack Carton QTY
AC Adapter Cable for Wieland to M19 AC FLEX Wiring	N/A	AAA-XXU3WGFP9M0.1	912401701608	912401656068	20
AC Cable Adapter for Wieland Black to Wieland Leaf Green	N/A	AAA-XXU3WGFWMXXX	912300002483	912401656112	20

DC Dimming Signal Cable - AMERICAS (Luminaire to Dimming Control Line)	Quantity per Fixture	Regional Commercial Code (RCC)	Ordering PN 12NC Single Pack (S)	Ordering PN 12NC Bulk Pack (B)	Bulk Pack Carton QTY
11 in (0,3 m) Dimming Signal Cable, Pigtail, M12 Connector	1 Pc	CCA-XXU3T2FL3X0.3	912401701621	912401655902	10
5 ft (1,5 m) Dimming Signal Cable, Pigtail, M12 Connector	1 Pc	CCA-XXU3T2FL3X1.5	912401701622	912401655881	10

MOUNTING HARDWARE		Quantity per Fixture	Quantity per Kit	Regional Commercial Code (RCC)	Ordering PN 12NC Single Pack (S)	Ordering PN 12NC Bulk Pack (B)	Bulk Pack Carton QTY
A	RAPTR Standard Mounting Bracket Kit	1 Kit	2 Pcs	MT-RP-ST-XX	912401655790	912401656030	20
B	RAPTR Strut/C-Channel 40 mm Mounting Bracket Kit	1 Kit	2 Pcs	MT-RP-US-XX	912401655791	912401656031	20
C	RAPTR Square 70 mm Mounting Bracket Kit	1 Kit	2 Pcs	MT-RP-SQ-XX	912401655792	912401656029	20

