

RAY Series

RAY LED grow light bar is available in two sizes: 22", and 44", and it is available with six different spectral compositions for full-cycle growth and supplemental photomorphogenic response. RAY is flexible for a variety of applications.



SPECIFICATIONS

Light Distribution	120°
Input Voltage	120-277V AC, 50/60 Hz
Mounting Height	≥ 6" (15.2cm) Above Canopy
Thermal Management	Passive
Max. Ambient Temperature	95°F / 35°C
Dimming	10V-Source
Lifetime	L70: > 150,000hrs
Power Factor	> 90%
Certifications	cETL & UL 1598 Damp Location Rated
Warranty	3 Year Standard

PHOTON FLUX AND EFFICACY

LIGHT BAR	SPECTRUM	Photon Flux (360-780nm) (μmol/s)	AC Power @ 277 V (W)	Efficacy (360-780nm) @ 277 V AC (μmol/J)
RAY 22	Broad R4	93	40	2.33
	Far Red	81	32	2.53
RAY 44	Broad R4	185	79	2.34
	Far Red	162	65	2.49

MAXIMUM AC INPUT AMPERAGE

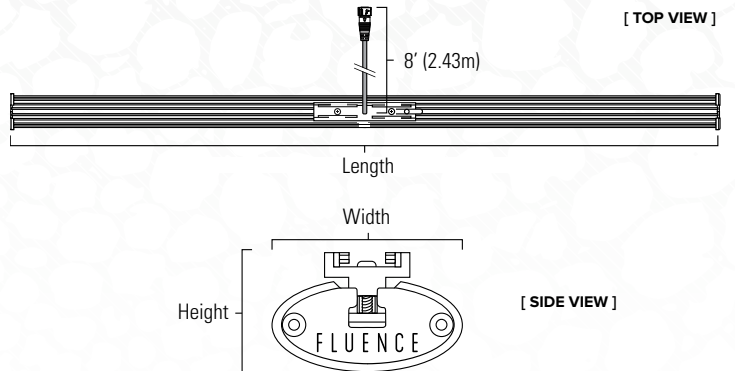
SPECTRUM		AC VOLTAGE	120 V	208 V	240 V	277 V
RAY 22	Broad R4	Max AC Input Current	0.34 A	0.20 A	0.17 A	0.15 A
	Far Red		0.28 A	0.16 A	0.14 A	0.13 A
RAY 44	Broad R4	Max AC Input Current	0.69 A	0.40 A	0.36 A	0.32 A
	Far Red		0.57 A	0.33 A	0.30 A	0.27 A

SKU MATRIX

FAMILY		MODEL	SPECTRUM	INPUT VOLTAGE	PACK QUANTITY
RY	RAY	2 22"	I Broad R4 (PhysioSpec Indoor™)	LVG 120-277 VAC	S Single Pack
		4 44"	F Far Red (PfrSpec™)		

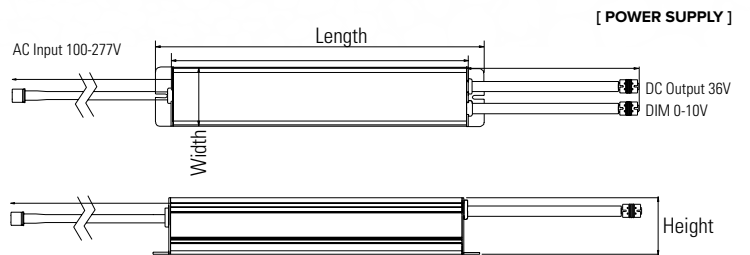
LIGHT BAR DIMENSIONS AND WEIGHT

Item	SKU Abb.	Length	Width	Height	Weight
RAY 22	RY-2-X-S	22"	2.2"	1.4"	1.3 lb
		55.9 cm	5.6 cm	3.6 cm	0.6 kg
RAY 44	RY-4-X-S	44"	2.2"	1.4"	2.2 lb
		111.8 cm	5.6 cm	3.6 cm	1.0 kg



POWER SUPPLY DIMENSIONS AND WEIGHT

	Description	Length	Width	Height	Weight
RAY 22 PS-1:	120-277VAC	4.40 in 11.2 cm	2.51 in 6.4 cm	1.41 in 3.6 cm	2.20 lbs 1.00 kg
RAY 44 PS-1	120-277VAC	5.83 in 14.8 cm	2.36 in 6.0 cm	1.42 in 3.6 cm	1.54 lbs 0.70 kg



LUMINAIRE WITH POWER SUPPLY (Includes Mounting Hardware)

Description	Regional Commercial Code (RCC)	Ordering PN 12NC	Pack Quantity
RAY 22 Broad R4, LVG, SP	RY-2-I-1-LVG-S	912401701847	Single
RAY 22 Far Red, LVG, SP	RY-2-F-1-LVG-S	912401701848	Single
RAY 44 Broad R4, LVG, SP	RY-4-I-1-LVG-S	912401701849	Single
RAY 44 Far Red, LVG, SP	RY-4-F-1-LVG-S	912401701850	Single

LIGHT BARS

Description	Regional Commercial Code (RCC)	Ordering PN 12NC	Pack Quantity
RAY 22, Light Bar, Broad R4, SP	RY-2-I-S	912401701851	Single
RAY 22, Light Bar, Far Red, SP	RY-2-F-S	912401701857	Single
RAY 44, Light Bar, Broad R4, SP	RY-4-I-S	912401701852	Single
RAY 44, Light Bar, Far Red, SP	RY-4-F-S	912401701858	Single

POWER SUPPLIES

Description	AC Voltage	AC Connector Type	DC Current	Regional Commercial Code (RCC)	Ordering PN 12NC	Pack Quantity
Power supply, LVG, 50W/1.0A, M19, SP	120-277 V	M19	1.0 A	PLMG-V1D-050-010-S	912401701869	Single
Power supply, LVG, 100W/2.1A, M19, SP	120-277 V	M19	2.1 A	PLMG-V1C-100-021-S	912401701870	Single

MOUNTING HARDWARE

Description	Quantity Required per Fixture	Quantity Hangers per Kit	Regional Commercial Code (RCC)	Ordering PN 12NC	Pack Quantity
Ray Standard Mounting Kit, SP	1 Kit	2 Pcs	MS-RY-ST-XX-S	912300003043	Single

AC POWER CABLE (Power Supply to AC Line)

Description	Regional Commercial Code (RCC)	Ordering PN 12NC	Pack Quantity
AC Cable, M19 Screw Lock w/L7-15P, 6FT, SP (277 V Max)	CAA-RYU3T9FL7P1.8S	912401656081	Single
AC Cable, M19 Screw Lock w/N5P, 6FT, SP (125 V Max)	CAA-RYU3T9FN5P1.8S	912401701880	Single
AC Cable, M19 Screw Lock w/N6P, 6FT, SP (250 V Max)	CAA-RYU3T9FN6P1.8S	912401701882	Single
AC Cable, M19 Screw Lock w/Leads, 6FT, SP (277V Max)	CAA-RYU3T9FL3X1.8S	912401701879	Single
AC Cable, M19 Screw Lock w/L7-15P, 15FT, SP (277 V Max)	CAA-RYU3T9FL7P4.6S	912401656083	Single
AC Cable, M19 Screw Lock w/N5P, 15FT, SP (125 V Max)	CAA-RYU3T9FN5P4.6S	912401701881	Single
AC Cable, M19 Screw Lock w/N6P, 15FT, SP (250 V Max)	CAA-RYU3T9FN6P4.6S	912401701883	Single
AC Cable, M19 Screw Lock w/Leads, SP (277 V Max)	CAA-RYU3T9FL3X4.6S	912401656086	Single