

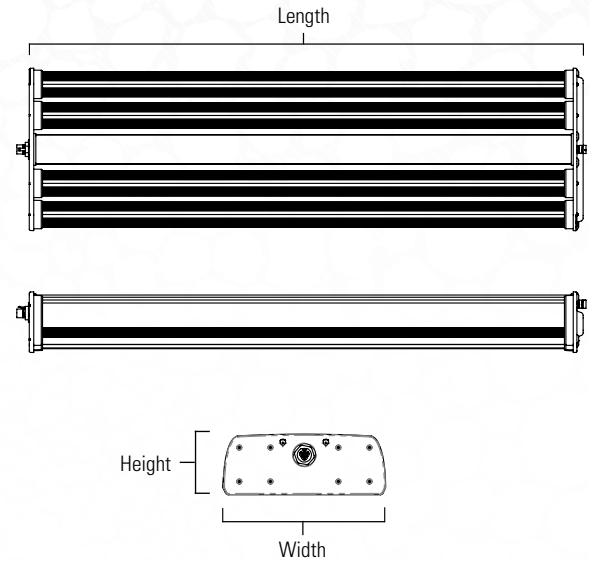


## RAPTR Series

**The RAPTR Series** is a high-output top light ideal for 1:1 HPS replacement in controlled environment agriculture. Designed to deliver maximum intensity with industry leading efficacy, RAPTR is available with two optical distributions and a range of Physiospec™ spectrums designed for high-intensity indoor horticulture and high-efficiency greenhouse applications.

SPECIFICATIONS	
Light Source	LED
AC Input Voltage	277-480 V AC, 50/60 Hz
Spectrum	Broad R4, R6, R8, R8+FR, R9 and Dual R9B
Input Power	800-1020W
Power Factor	> 0.9
Output	Up to 3,370 µmol/s
Efficacy	Up to 3.4 µmol/J
Thermal Management	Passive
Power Supply	Integrated
Dimming	Source Signal Driver, 0/1-10 V, OFF/ 10-100%
Total Harmonic Distortion	< 10% at 60-100% of total load
Optical	120° Lambertian (Clear cover), 150° Wide
Max. Ambient Temperature	45°C [113°F]
Lifetime (Driver and LED Q90)	> 50,000 hours (at 25°C ambient)
Appliance Class	Class II (Double Insulated)
Environmental Rating	IP66 rated; RH <90% non-condensing
Certifications	cETLus, CE, UKCA, FCC Part 15 Class A
Industry Standards	UL8800, IEC 60598-1, IEC 62471, IEC 62031
Warranty	5 Year Limited Warranty

DIMENSIONS					
Spectra	Power	Length	Width	Height	Weight
Broad R4	1020W	39.6" [1 m]	14.6" [37 cm]	4.1" [10,5 cm]	33 lbs [15 kg]
	800W	31.5" [80 cm]	14.6" [37 cm]	4.1" [10,5 cm]	28 lbs [13 kg]
All Others	1020W	39.5" [1 m]	11.3" [28,7 cm]	4.2" [10,7 cm]	28 lbs [13 kg]
	800W	31.5" [80 cm]	11.3" [28,7 cm]	4.2" [10,7 cm]	24 lbs [11 kg]



## ORDERING CODE FOR LIGHT FIXTURE WITH INTERNAL POWER SUPPLY

FAMILY	REGION	SPECTRUM	WATTAGE	DISTRIBUTION	INPUT VOLTAGE	CONNECTOR
<b>RP</b> RAPTR	<b>C</b> GLOBAL	<b>BW4</b> BROAD R4 <b>BP6</b> BROAD R6 <b>BP8</b> BROAD R8 <b>BP9</b> BROAD R9 <b>B8F</b> BROAD R8 +FR	<b>800</b> 800 WATT <b>1K</b> 1020 WATT	<b>STD</b> 120° LAMBERTIAN <b>150</b> 150° WIDE	<b>JVG</b> 277-480 VAC	<b>RST1</b> WIELAND (RST20i3 Gr)

## PERFORMANCE DATA (400-800 nm)

PHYSIOSPEC™ SPECTRUM	CLEAR COVER (120° LAMBERTIAN)			150° WIDE		
	AC Power @ 277 V AC (W)	OUTPUT PF (400-800 nm) (µmol/s)	Efficacy (PE) @ 277 V AC (µmol/J)	AC Power @ 277 V AC (W)	OUTPUT PF (400-800 nm) (µmol/s)	Efficacy (PE) @ 277 V AC (µmol/J)
BROAD R8 + Far Red	1,020	3,430	3.4	1,020	3,350	3.3
	800	2,600	3.3	800	2,500	3.1

**Disclaimer:** Performance values are from representative tests performed in accordance industry standard LM-79 by an independent accredited laboratory (NVLAP). Actual application performance may vary due to component tolerances and installation, environmental, and field measurements conditions.



Contact **FLUENCE** @  
[support@fluence-led.com](mailto:support@fluence-led.com)  
[www.fluence.science/RAPTR](http://www.fluence.science/RAPTR)

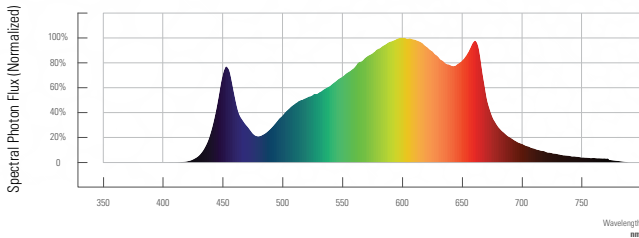
## PERFORMANCE DATA (400-700 nm)

PHYSIOSPEC™ SPECTRUM	CLEAR COVER (120° LAMBERTIAN)			150° WIDE		
	AC Power @ 277 V AC (W)	OUTPUT PPF (400-700 nm) (μmol/s)	Efficacy (PPE) @ 277 V AC (μmol/J)	AC Power @ 277 V AC (W)	OUTPUT PPF (400-700 nm) (μmol/s)	Efficacy (PPE) @ 277 V AC (μmol/J)
BROAD R4	1,020	2,640	2.6	1,020	2,610	2.6
	800	2,050	2.6	800	2,010	2.5
BROAD R6	1,020	2,910	2.9	1,020	2,820	2.8
	800	2,250	2.8	800	2,170	2.7
BROAD R8	1,020	3,250	3.2	1,020	3,210	3.1
	800	2,580	3.2	800	2,490	3.1
BROAD R9	1,020	3,450	3.4	1,020	3,350	3.3
	800	2,720	3.4	800	2,630	3.3

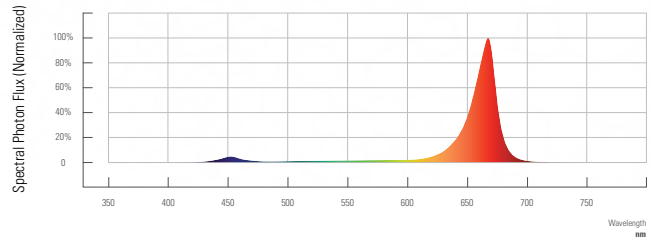
**Disclaimer:** Performance values are from representative tests performed in accordance industry standard LM-79 by an independent accredited laboratory (NVLAP). Actual application performance may vary due to component tolerances and installation, environmental, and field measurements conditions.

## SPECTRA

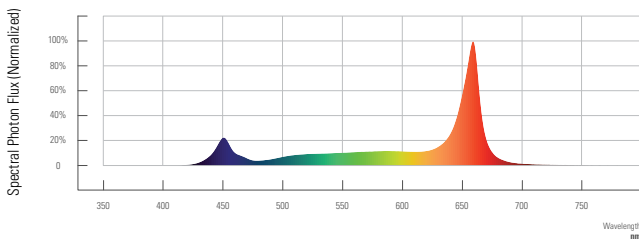
PhysioSpec™ BROAD R4



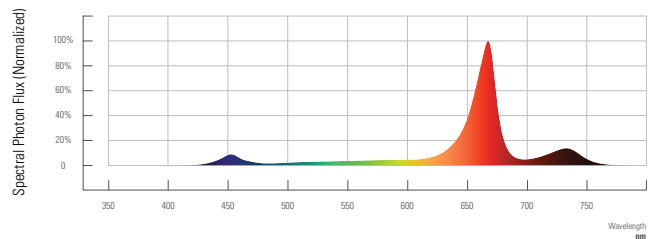
PhysioSpec™ BROAD R9



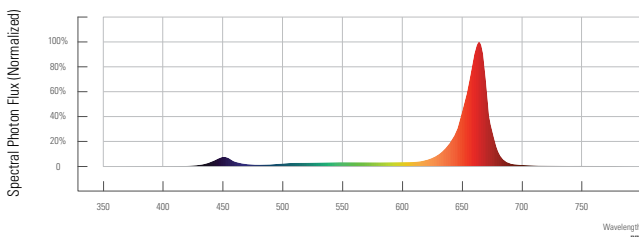
PhysioSpec™ BROAD R6



PhysioSpec™ BROAD R8F



PhysioSpec™ BROAD R8



Contact **FLUENCE** @  
[support@fluence-led.com](mailto:support@fluence-led.com)  
[www.fluence.science/RAPTR](http://www.fluence.science/RAPTR)

## ORDERING CODE FOR ACCESSORIES

AC POWER CABLE - <b>GLOBAL</b> (Luminaire to AC Line)	Quantity per Fixture	Ordering Code
1,8 m (6ft) AC Pigtail with Wieland Connector for Market using Harmonized cable	1 Pc	ACC-15-PTL-12-00-12-IF06.0
4,5 m (15ft) AC Pigtail with Wieland Connector for Market using Harmonized cable	1 Pc	ACC-15-PTL-12-00-12-IF15.0

AC POWER CABLE - <b>AMERICAS</b> (Luminaire to AC Line)	Quantity per Fixture	Ordering Code
6ft AC Pigtail with Wieland Connector for Americas	1 Pc	ACC-01-PTL-12-00-01-IF06.0
15ft AC Pigtail with Wieland Connector for Americas	1 Pc	ACC-01-PTL-12-00-01-IF15.0
6ft AC Cable Wieland Connector with L7-15P plug for Americas	1 Pc	ACC-01-PLG-12-18-01-IF06.0
15ft AC Cable Wieland Connector with L7-15P plug for Americas	1 Pc	ACC-01-PLG-12-18-01-IF15.0

AC POWER CABLE ACCESSORIES	Quantity per Fixture	Ordering Code
AC adapter Cable for Wieland to M19 FLEX	N/A	ACC-01-ADP-12-05-01-II06.0

DC Dimming Signal Cable - <b>AMERICAS</b> (Power Supply to Dimming Control)	Quantity per Fixture	Ordering Code	QTY/ Carton
11 in (0,3 m) Dimming Signal Cable, Pigtail, M12 Connector	1 Pc	CDMA-71561-10	10 Pcs
5 ft (1,5 m) Dimming Signal Cable, Pigtail, M12 Connector	1 Pc	CDMA-71560-10	10 Pcs

DC Dimming Signal Cable - <b>INTERNATIONAL</b> (Power Supply to Dimming Control)	Quantity per Fixture	Ordering Code	QTY/ Carton
31.5 in (80 cm) Dimming Signal Cable, Cca, Pigtail, M12 Connector	1 Pc	CDME-71526-10	10 Pcs

MOUNTING HARDWARE	Quantity per Fixture	Ordering Code	QTY/ Carton
<b>A</b> RAPTR Mounting Standard Bracket	1 Kit	RP-STD-BRKT-01	2 Pcs
<b>B</b> RAPTR Unistrut 40 mm Bracket	1 Kit	RP-UNS-BRKT-01	2 Pcs
<b>C</b> RAPTR Square 70 mm Bracket	1 Kit	RP-SQR-BRKT-01	2 Pcs

