



SPYDR 2h47

The **SPYDR 2h** is a high-output multi-tier grow light for commercial cultivation environments, producing a photosynthetic photon flux (PPF) of 2,180 $\mu\text{mol/s}$. With strong uniformity and our PhysioSpec™ broad R4 spectrum, SPYDR 2h is designed to maximize yields for growers incorporating high-intensity lighting and cultivation strategies.

SPECIFICATIONS

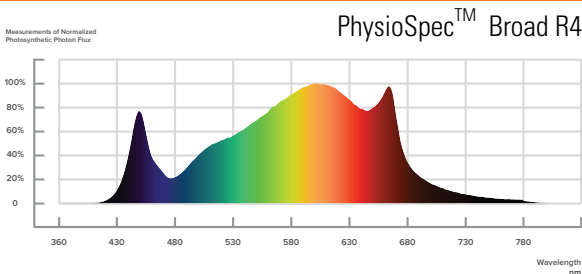
Light Source	LED
Spectrum	PhysioSpec™ Broad R4
Light Output PPF	2180 μmol/s
Efficacy	2.75 μmol/J @ 277 V AC
AC Input Power	790 W @ 277 V AC
AC Input Voltage	230-480 V AC, 50/60 Hz
Light Distribution	120°
Mounting Height Above Canopy	6" - 12" [15-30 cm]
Thermal Management	Passive
Max. Ambient Temperature/Humidity	95°F [35°C], 90% RH
Dimming	Source Signal Driver, 0-10 V, Dim to Off / Dimming: 10-100%
Total Harmonic Distortion (THD)	< 10% at 100% output
Lifetime (Driver and LED Q90)	> 50,000 hrs
IP Rating per IEC 60598-1	IP66
Certifications	IEC60598-1, UL 8800, UL 1598 Wet Location, DLC
Warranty	5 Year Limited Warranty
Electrical Insulation	Class III (IEC 60598-1 Luminaire)
DLC Reported Application	Indoor (Stacked and Non-stacked), Top light/Sole-source

NOMINAL ELECTRICAL AC INPUT*

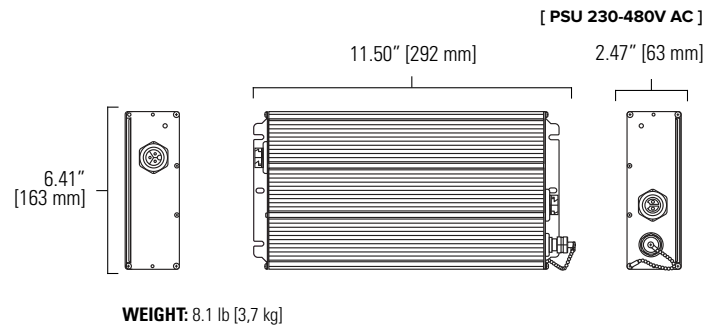
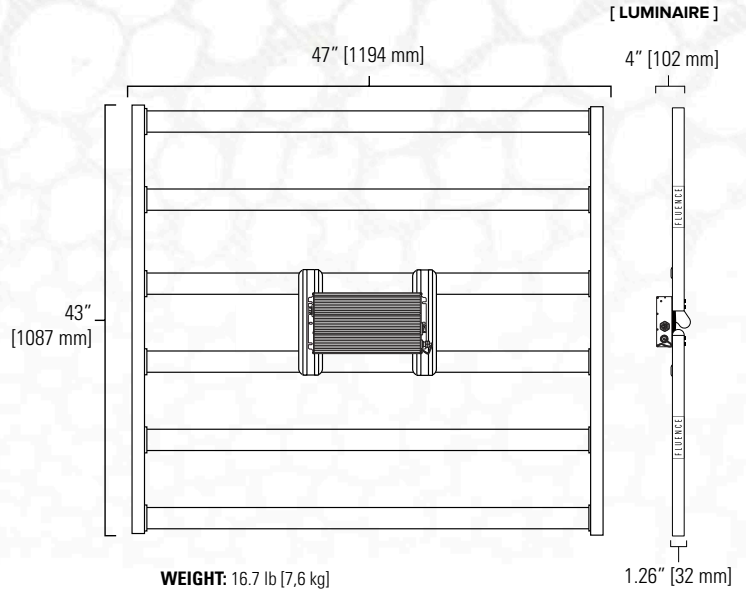
AC VOLTAGE	230 V	277 V	347 V	480 V
AC Current	3.63 A	2.87 A	2.34 A	1.70 A
AC Power	797 W	790 W	789 W	784 W
Power Factor	0.99	0.99	0.99	0.96

* At 77°F [25°C] ambient temperature and 100% output.

SPECTRA



Disclaimer: Performance values are from representative tests performed in accordance industry standards listed. Actual application performance may vary due to component tolerances and installation, environmental, and field measurements conditions.



LUMINAIRE WITH POWER SUPPLY

Description	Regional Commercial Code	Ordering PN 12NC Single Pack (-S)	Ordering PN 12NC Bulk Pack (-B)	Bulk Pack Quantity
SPYDR 2h47, Broad R4, HVG	SR-2H47-I-HVG	9124 017 01670	9124 017 01679	Varies

LUMINAIRE WITH POWER SUPPLY (Retail Kits)

Description	Regional Catalog Code	Ordering PN 12NC Single Pack
SPYDR 2h47, Broad R4, HVG, SAA AC Cord, Type I Plug, Retail Kit (Includes 80 cm dimming cable and lance hangers)	SR-2H47-I-HV-ASP-R ¹	9124 017 01744
SPYDR 2h47, Broad R4, HVG, No AC Cord, Retail Kit (Includes 11" dimming cable and lance hangers)	SR-2H47-I-HV-XXX-R ¹	9124 017 01745

1. Extended leadtime applies. Consult Fluence operations for details.

MOUNTING HARWARE

Description	Pcs per kits	Regional Commercial Code	Ordering PN 12NC Single Pack (-S)	Ordering PN 12NC Bulk Pack (-B)	Bulk Pack Carton Quantity
Adjustable Hanging Kit	2	MT-SR-GM-05	9124 017 01641	9124 016 55893	10
Lance Wire Hanger Kit	2	MT-SR-M2-XX	9124 017 01633	9124 016 88765	20
Offset Solid Deck Mounting Kit	4	MR-S2-SD-OS	9124 017 01630	9124 016 88762	20
Solid Deck Wire Hanger Kit 4.38 IN	4	MR-S2-SD-XX	9124 017 01638	9124 016 55894	20
Waterfall Wire Hanger Kit, Twisted V (8.375")	4	MR-S2-WL-XX	9124 017 01639	9124 016 55895	20
Waterfall Wire Hanger Kit, Twisted V (5.5")	4	MR-S2-WS-XX	9124 017 01640	9124 016 88763	20
PIPP Rack Hanger Kit - ABS Tray (4" Spacing)	4	MR-S2-VS-XX	9124 017 01632	9124 016 88771	20
PIPP Rack Hanger Kit - ABS Tray with VAS (6" Spacing)	4	MR-S2-VL-XX	9124 017 01631	9124 016 56014	20
PIPP Rack Hanger Kit - ABS Tray with VAS Long (8" Spacing)	4	MR-S2-VL-XL ¹	9124 017 01761	9124 017 01760	20
PIPP Rack Hanger Kit - Offset Drip/Flood Tray with VAS	4	MR-S2-VL-OS ¹	9123 000 02431	9124 016 88773	20
PIPP Rack Hanger Kit - Offset Drip/Flood Tray	4	MR-S2-VS-OS	9124 017 01642	9124 016 88775	20

1. Extended leadtime applies. Consult Fluence operations for details.

DIMMING SIGNAL CABLE (Power Supply to Dimming Control)

Description	Regional Commercial Code	Ordering PN 12NC Single Pack (S)	Ordering PN 12NC Bulk Pack (B)	Bulk Pack Carton Quantity
11 IN (28 cm) Dimming Signal Cable, Pigtail, M12 Connector	CCA-XXU3T2FL3X0.3	9124 017 01621	9124 016 55902	10
5 FT (1.52 m) Dimming Signal Cable, Pigtail, M12 Connector	CCA-XXU3T2FL3X1.5	9124 017 01622	9124 016 55881	10
80 cm (31,5 IN) Dimming Signal Cable, Cca, Pigtail, M12 Connector	CCE-XXC3T2FL3X0.8 ¹	9124 017 01623	9124 016 55883	10

1. Extended leadtime applies. Consult Fluence operations for details.

AC POWER CABLE (Power Supply to AC Line)

Description	Regional Commercial Code	Ordering PN 12NC Single Pack (S)	Ordering PN 12NC Bulk Pack (B)	Bulk Pack Carton Quantity
6 FT (1.83 m) AC Extension Cable, NEMA 6-15P Plug, M19 Push Lock, Max 250 V AC	CAA-XXU3P9FN6P1.8	9124 017 01613	9124 016 88456	10
6 FT (1.83 m) AC Extension Cable, NEMA L7-15P Plug, M19 Push Lock, Max 277 V AC	CAA-XXU3P9FL7P1.8	9124 017 01625	9124 016 55898	10
6 FT (1.83 m) AC Extension Cable, Pigtail, M19 Push Lock, Max 480 V AC	CAA-XXU3P9FL3X1.8	9124 017 01624	9124 016 55875	10
15 FT (4.57 m) AC Extension Cable, NEMA 6-15P Plug, M19 Push Lock, Max 250 V AC	CAA-XXU3P9FN6P4.6	9124 017 01614	9124 016 88457	5
15 FT (4.57 m) AC Extension Cable, NEMA L7-15P Plug, M19 Push Lock, Max 277 V AC	CAA-XXU3P9FL7P4.6	9124 017 01626	9124 016 55899	5
15 FT (4.57 m) AC Extension Cable, Pigtail, M19 Push Lock, Max 480 V AC	CAA-XXU3P9FL3X4.6	9124 017 01610	9124 016 88461	5
6 FT (1.83 m) AC Cable, AXH3, Type I SAA Plug, M19 Push Lock Female	CAZ-XXS3P9FTIP1.8 ¹	9124 017 01618	9124 016 88467	10
6 FT (1.83 m) AC Cable, VDE H07RN-F, Pigtail, M19 Push Lock (CE countries)	CAR-XXV3P9FL3X1.8 ¹	9124 017 01616	9124 016 88464	10
15 FT (4.57 m) AC Cable, VDE H07RN-F, Pigtail, M19 Push Lock (CE countries)	CAR-XXV3P9FL3X4.6 ¹	9124 017 01617	9124 016 88465	5

1. Extended leadtime applies. Consult Fluence operations for details.

LIGHT BARS

Description	Regional Commercial Code	Ordering PN 12NC Single Pack (-S)	Ordering PN 12NC Bulk Pack (-B)	Bulk Pack Pallet Quantity
SPYDR, 2h47, Light Bar, R4	SR-2H47-I ¹	9124 017 01644	9124 017 01647	15

1. Extended leadtime applies. Consult Fluence operations for details.

POWER SUPPLIES

AC Voltage	AC Connector Type	DC Current	Regional Commercial Code	Ordering PN 12NC Single Pack (-S)	Ordering PN 12NC Bulk Pack (-B)	Bulk Pack Pallet Quantity
230-480 V	M19	14.6 A	PHMG-V3B-800-146	9124 017 01650	9124 017 01660	24

POWER SUPPLY ACCESSORIES

Description	Regional Commercial Code	Ordering PN 12NC Single Pack (-S)	Ordering PN 12NC Bulk Pack (-B)	Bulk Pack Carton Quantity
800W PSU Fixture Mounting Bracket Kit	MF-S2-MB-8V	9124 017 01635	9124 016 55906	20

DC CABLE (Fixture to Remote Power Supply)

Description	Regional Commercial Code	Ordering PN 12NC Single Pack (S)	Ordering PN 12NC Bulk Pack (B)	Bulk Pack Carton Quantity
3 FT (0.91 m) DC Extension Cable, M19 Push Lock	CDG-XXU2P9MP9F0.9	9124 017 01619	9124 016 55876	10
6 FT (1.83 m) DC Extension Cable, M19 Push Lock	CDG-XXU2P9MP9F1.8 ¹	9124 017 01620	9124 016 55880	10

1. Extended leadtime applies. Consult Fluence operations for details.



Review our products, share your grow and stay abreast of the latest Fluence news and product releases through the channels below:



@Fluence_Global | @Fluence_LED

fluence-led.com

© Copyright 2024. Fluence Bioengineering, Inc.