



SPYDR 2i47

The **SPYDR 2i** is a high-performance top-lighting solution for commercial horticulture cultivation. Designed for growers to push the envelope with high-PPFD cultivation practices. Not intended for beginner growers or grows without CO₂ supplementation.

SPECIFICATIONS

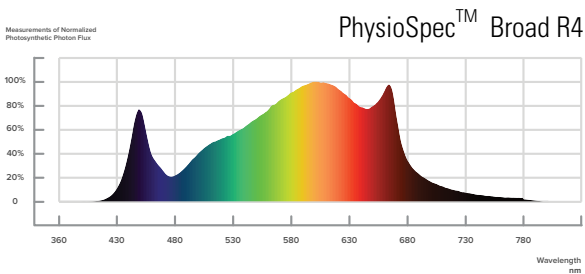
Light Source	LED
Spectrum	PhysioSpec™ Broad R4
Light Output PPF	1700 μmol/s
Efficacy	2.7 μmol/J @ 277 V AC
AC Input Power	638 W @ 277 V AC
AC Input Voltage	120-277 V AC, 277-480 V AC, 50/60 Hz
Light Distribution	120°
Mounting Height Above Canopy	6" - 12" [15-30 cm]
Thermal Management	Passive
Max. Ambient Temperature	95°F [35°C], 90% RH
Dimming	Source Signal Driver, 0-10 V, Dim to Off / Dimming: 10-100%
Total Harmonic Distortion (THD)	< 10% at 100% output
Lifetime (Driver and LED L90)	> 50,000 hrs
IP Rating IEC 60529	IP66
Certifications	UL 8800, UL 1598 Wet Location, DLC
Warranty	5 Year Limited Warranty
DLC Reported Application Position/Use case	Indoor (Stacked and Non-stacked), Top light/Sole-source

NOMINAL ELECTRICAL AC INPUT*

AC VOLTAGE	120V	208V	277V	347V	480V
AC Current	5.57 A	3.09 A	2.37 A	1.85 A	1.37 A
AC Power	669 W	638 W	638 W	638 W	637 W
Power Factor	0.997	0.991	0.969	0.993	0.969

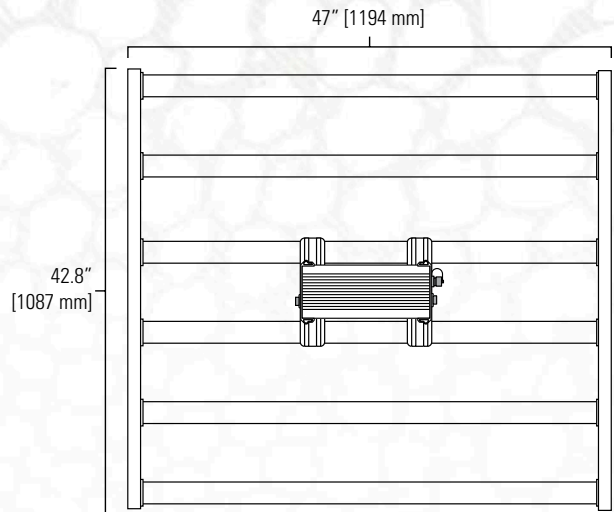
* At 77°F [25°C] ambient temperature and 100% output.

SPECTRA

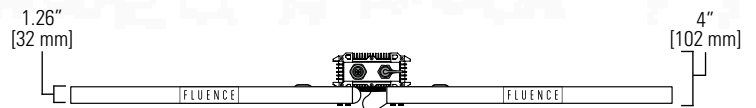


Disclaimer: Performance values are from representative tests performed in accordance industry standards listed. Actual application performance may vary due to component tolerances and installation, environmental, and field measurements conditions.

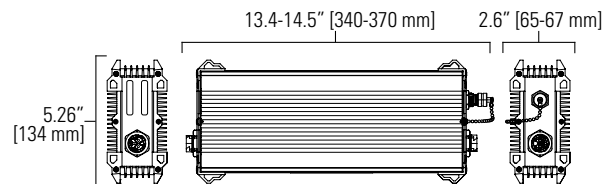
[TOP VIEW]



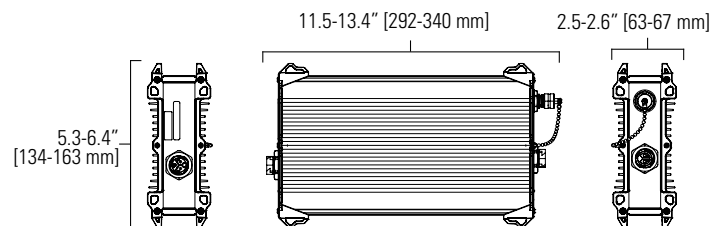
[SIDE VIEW]



[PSU 120-277V AC]



[PSU 277-480V AC]



Contact **FLUENCE**

support@fluence-led.com

www.fluence-led.com/products/spydr-series

LUMINAIRE WITH POWER SUPPLY

Description	Regional Commercial Code	Ordering PN 12NC Single Pack (-S)	Ordering PN 12NC Bulk Pack (-B)	Bulk Pack Quantity
SPYDR 2i47, Broad R4, LVG	SR-2i47-I-LVG	9124 017 01671	9124 017 01680	Varies
SPYDR 2i47, Broad R4, HVG	SR-2i47-I-HVG	9124 017 01672	9124 017 01681	Varies

LUMINAIRE WITH POWER SUPPLY (Retail Kits)

Description	Regional Commercial Code	Ordering PN 12NC Single Pack
SPYDR 2i47, Broad R4, LVG, No AC Cord, Retail Kit (Includes 11" dimming cable and lance hangers)	SR-2i47-I-LV-XXX-R	9124 017 01746
SPYDR 2i47, Broad R4, HVG, No AC Cord, Retail Kit (Includes 11" dimming cable and lance hangers)	SR-2i47-I-HV-XXX-R	9124 017 01747
SPYDR 2i47, Broad R4, LVG, SAA AC Cord, Type I Plug, Retail Kit (Includes 11" dimming cable and lance hangers)	SR-2i47-I-LV-ASP-R ¹	9124 017 01796

1. Extended leadtime applies. Consult Fluence operations for details.

MOUNTING HARWARE

Description	Pcs per kits	Regional Commercial Code	Ordering PN 12NC Single Pack (-S)	Ordering PN 12NC Bulk Pack (-B)	Bulk Pack Carton Quantity
Adjustable Hanging Kit	2	MT-SR-GM-05	9124 017 01641	9124 016 55893	10
Lance Wire Hanger Kit	2	MT-SR-M2-XX	9124 017 01633	9124 016 88765	20
Offset Solid Deck Mounting Kit	4	MR-S2-SD-OS	9124 017 01630	9124 016 88762	20
Solid Deck Wire Hanger Kit 4.38 IN	4	MR-S2-SD-XX	9124 017 01638	9124 016 55894	20
Waterfall Wire Hanger Kit, Twisted V (8.375")	4	MR-S2-WL-XX	9124 017 01639	9124 016 55895	20
Waterfall Wire Hanger Kit, Twisted V (5.5")	4	MR-S2-WS-XX	9124 017 01640	9124 016 88763	20
PIPP Rack Hanger Kit - ABS Tray (4" Spacing)	4	MR-S2-VS-XX	9124 017 01632	9124 016 88771	20
PIPP Rack Hanger Kit - ABS Tray with VAS (6" Spacing)	4	MR-S2-VL-XX	9124 017 01631	9124 016 56014	20
PIPP Rack Hanger Kit - ABS Tray with VAS Long (8" Spacing)	4	MR-S2-VL-XL ¹	9124 017 01761	9124 017 01760	20
PIPP Rack Hanger Kit - Offset Drip/Flood Tray with VAS	4	MR-S2-VL-OS ¹	9123 000 02431	9124 016 88773	20
PIPP Rack Hanger Kit - Offset Drip/Flood Tray	4	MR-S2-VS-OS	9124 017 01642	9124 016 88775	20

1. Extended leadtime applies. Consult Fluence operations for details.

DIMMING SIGNAL CABLE (Power Supply to Dimming Control)

Description	Regional Commercial Code	Ordering PN 12NC Single Pack (S)	Ordering PN 12NC Bulk Pack (B)	Bulk Pack Carton Quantity
11 IN (28 cm) Dimming Signal Cable, Pigtail, M12 Connector	CCA-XXU3T2FL3X0.3	9124 017 01621	9124 016 55902	10
5 FT (1.52 m) Dimming Signal Cable, Pigtail, M12 Connector	CCA-XXU3T2FL3X1.5	9124 017 01622	9124 016 55881	10
80 cm (31,5 IN) Dimming Signal Cable, Cca, Pigtail, M12 Connector	CCE-XXC3T2FL3X0.8 ¹	9124 017 01623	9124 016 55883	10

1. Extended leadtime applies. Consult Fluence operations for details.

AC POWER CABLE (Power Supply to AC Line)

Description	Regional Commercial Code	Ordering PN 12NC Single Pack (S)	Ordering PN 12NC Bulk Pack (B)	Bulk Pack Carton Quantity
6 FT (1.83 m) AC Extension Cable, NEMA 5-15P Plug, M19 Push Lock, Max 125 V AC	CAA-XXU3P9FN5P1.8	9124 017 01611	9124 016 88454	10
6 FT (1.83 m) AC Extension Cable, NEMA 6-15P Plug, M19 Push Lock, Max 250 V AC	CAA-XXU3P9FN6P1.8	9124 017 01613	9124 016 88456	10
6 FT (1.83 m) AC Extension Cable, NEMA L7-15P Plug, M19 Push Lock, Max 277 V AC	CAA-XXU3P9FL7P1.8	9124 017 01625	9124 016 55898	10
6 FT (1.83 m) AC Extension Cable, Pigtail, M19 Push Lock, Max 480 V AC	CAA-XXU3P9FL3X1.8	9124 017 01624	9124 016 55875	10
15 FT (4.57 m) AC Extension Cable, NEMA 5-15P Plug, M19 Push Lock, Max 125 V AC	CAA-XXU3P9FN5P4.6	9124 017 01612	9124 016 88455	5
15 FT (4.57 m) AC Extension Cable, NEMA 6-15P Plug, M19 Push Lock, Max 250 V AC	CAA-XXU3P9FN6P4.6	9124 017 01614	9124 016 88457	5
15 FT (4.57 m) AC Extension Cable, NEMA L7-15P Plug, M19 Push Lock, Max 277 V AC	CAA-XXU3P9FL7P4.6	9124 017 01626	9124 016 55899	5
15 FT (4.57 m) AC Extension Cable, Pigtail, M19 Push Lock, Max 480 V AC	CAA-XXU3P9FL3X4.6	9124 017 01610	9124 016 88461	5
6 FT (1.83 m) AC Cable, AXH3, Type I SAA Plug, M19 Push Lock Female	CAZ-XXS3P9FTIP1.8 ¹	9124 017 01618	9124 016 88467	10
6 FT (1.83 m) AC Cable, VDE H07RN-F, Pigtail, M19 Push Lock (CE countries)	CAR-XXV3P9FL3X1.8 ¹	9124 017 01616	9124 016 88464	10
15 FT (4.57 m) AC Cable, VDE H07RN-F, Pigtail, M19 Push Lock (CE countries)	CAR-XXV3P9FL3X4.6 ¹	9124 017 01617	9124 016 88465	5

1. Extended leadtime applies. Consult Fluence operations for details.

LIGHT BARS

Description	Regional Commercial Code	Ordering PN 12NC Single Pack (-S)	Ordering PN 12NC Bulk Pack (-B)	Bulk Pack Pallet Quantity
SPYDR, 2i47, Light Bar, R4	SR-2i47-I	9124 016 55421	9124 017 01648	15

POWER SUPPLIES

AC Voltage	AC Connector Type	DC Current	Regional Commercial Code	Ordering PN 12NC Single Pack (-S)	Ordering PN 12NC Bulk Pack (-B)	Bulk Pack Pallet Quantity
120-277 V	M19	11.7 A	PLMG-V3A-600-117	9124 016 56211	9124 016 56245	24
277-480 V	M19	11.7 A	PHMG-V2C-600-117	9123 000 03431	9123 000 03433	33

POWER SUPPLY ACCESSORIES

Description	Used with Power Supply	Regional Commercial Code	Ordering PN 12NC Single Pack (-S)	Ordering PN 12NC Bulk Pack (-B)	Bulk Pack Carton Quantity
600W LVG PSU Fixture Mounting Bracket Kit	PLMG-V3A-600-117	MF-S2-MB-LV	9124 017 01637	9124 016 88776	20
600W HVG PSU Fixture Mounting Bracket Kit	PHMG-V2C-600-117	MF-S2-MB-HV	9124 017 01636	9124 016 55896	20
600W LVG PSU Wall/Surface Mounting Kit	PLMG-V3A-600-117	MS-PS-MB-LV	9124 016 56292	9124 016 56011	10
600W HVG PSU Wall/Surface Mounting Kit	PHMG-V2C-600-117	MS-PS-MB-HV	9124 016 56291	9124 016 56284	10

DC CABLE (Fixture to Remote Power Supply)

Description	Regional Commercial Code	Ordering PN 12NC Single Pack (S)	Ordering PN 12NC Bulk Pack (B)	Bulk Pack Carton Quantity
3 FT (0.91 m) DC Extension Cable, M19 Push Lock	CDG-XXU2P9MP9F0.9	9124 017 01619	9124 016 55876	10
6 FT (1.83 m) DC Extension Cable, M19 Push Lock	CDG-XXU2P9MP9F1.8 ¹	9124 017 01620	9124 016 55880	10

1. Extended leadtime applies. Consult Fluence operations for details.





Review our products, share your grow and stay abreast of the latest Fluence news and product releases through the channels below:



[@Fluence_Global](#) | [@Fluence_LED](#)

fluence-led.com

© Copyright 2024. Fluence Bioengineering, Inc.