

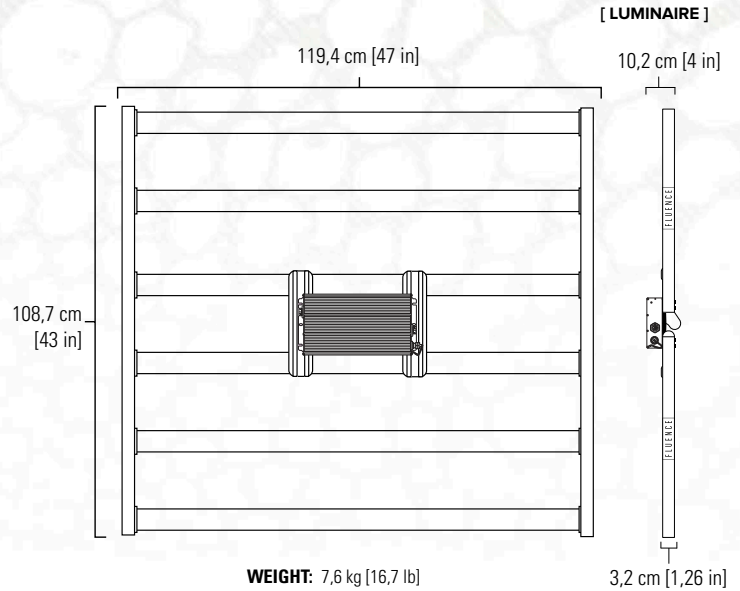


SPYDR 2i47 EU

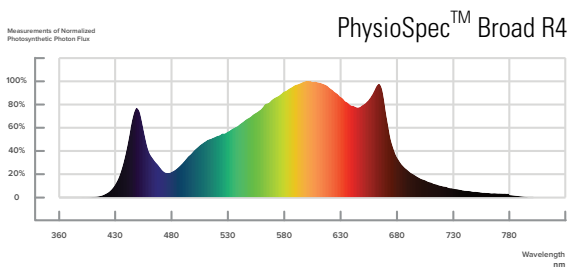
The **SPYDR 2i** is a high-performance top-lighting solution for commercial horticulture cultivation. Designed for growers to push the envelope with high-PPFD cultivation practices. Not intended for beginner growers or grows without CO₂ supplementation.

SPECIFICATIONS

Light Source	LED
Spectrum	PhysioSpec™ Broad R4
Light Output PPF	1700 µmol/s
Efficacy	2,6 µmol/J @230V and 2,7 µmol/J @400V
AC Input Power	651W @ 230V AC, 637W @ 400V AC
AC Input Voltage	230V / 400V AC, 50/60Hz
Nominal Power Factor	0,99 @ 230V AC, 0,99 @ 400V AC at 100% output
Nominal Mains Current	2,88 A @ 230V AC, 1,65 A @ 400V AC at 100% output
Light Distribution	120°
Mounting Height Above Canopy	15cm - 30cm [6" - 12"]
Thermal Management	Passive
Max. Ambient Temperature/ Humidity	35°C [95°F] , 90% RH
Dimming	Off/on 0/1-10V sink dimming, source driver
Total Harmonic Distortion (THD)	< 10% at 100% output
Lifetime (Driver and LED L90)	> 50.000hrs
IP Rating IEC 60598-1	IP66
Certifications	CE, UL 8800, IEC 60598-1
Warranty	5 Year Limited Warranty
Electrical Insulation	Class III (IEC 60598-1 Luminaire)
IEC 61347-1 Electrical Insulation	Class I

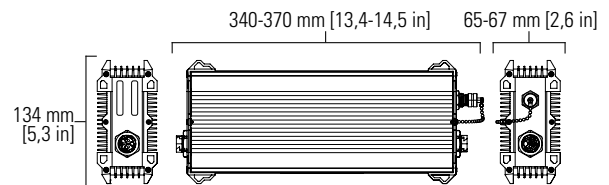


SPECTRA

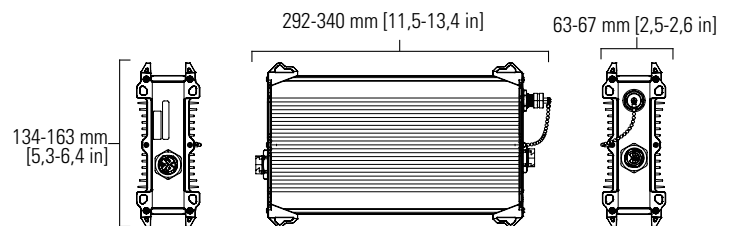


Disclaimer: Performance values are from representative tests performed in accordance industry standards listed. Actual application performance may vary due to component tolerances and installation, environmental, and field measurements conditions.

[PSU 120-277V AC]



[PSU 277-480V AC]



LIGHT BARS

Description	Regional Commercial Code	Ordering PN 12NC Single Pack (-S)	Ordering PN 12NC Bulk Pack (-B)	Bulk Pack Pallet Quantity
SPYDR, 2i47, Light Bar, R4	SR-2i47-I	9124 016 55421	9124 017 01648	15

POWER SUPPLIES

AC Voltage	AC Connector Type	DC Current	Regional Commercial Code	Ordering PN 12NC Single Pack (-S)	Ordering PN 12NC Bulk Pack (-B)	Bulk Pack Pallet Quantity
230 V	M19	11,7 A	PLMG-V3A-600-117	9124 016 56211	9124 016 56245	24
400 V	M19	11,7 A	PHMG-V2C-600-117	9123 000 03431	9123 000 03433	33

POWER SUPPLY ACCESSORIES

Description	Used with Power Supply	Regional Commercial Code	Ordering PN 12NC Single Pack (-S)	Ordering PN 12NC Bulk Pack (-B)	Bulk Pack Carton Quantity
600W LVG PSU Fixture Mounting Bracket Kit	PLMG-V3A-600-117	MF-S2-MB-LV	9124 017 01637	9124 016 88776	20
600W HVG PSU Fixture Mounting Bracket Kit	PHMG-V2C-600-117	MF-S2-MB-HV	9124 017 01636	9124 016 55896	20
600W LVG PSU Wall/Surface Mounting Kit	PLMG-V3A-600-117	MS-PS-MB-LV	9124 016 56292	9124 016 56011	10
600W HVG PSU Wall/Surface Mounting Kit	PHMG-V2C-600-117	MS-PS-MB-HV	9124 016 56291	9124 016 56284	10

DC CABLE (Fixture to Remote Power Supply)

Description	Regional Commercial Code	Ordering PN 12NC Single Pack (S)	Ordering PN 12NC Bulk Pack (B)	Bulk Pack Carton Quantity
0,91 m (3 FT) DC Extension Cable, M19 Push Lock	CDG-XXU2P9MP9F0.9	9124 017 01619	9124 016 55876	10
1,83 m (6 FT) DC Extension Cable, M19 Push Lock	CDG-XXU2P9MP9F1.8	9124 017 01620	9124 016 55880	10

MOUNTING HARWARE

Description	Pcs per kits	Regional Commercial Code	Ordering PN 12NC Single Pack (-S)	Ordering PN 12NC Bulk Pack (-B)	Bulk Pack Carton Quantity
Adjustable Hanging Kit	2	MT-SR-GM-05	9124 017 01641	9124 016 55893	10
Lance Wire Hanger Kit	2	MT-SR-M2-XX	9124 017 01633	9124 016 88765	20
Offset Solid Deck Mounting Kit	4	MR-S2-SD-OS	9124 017 01630	9124 016 88762	20
Solid Deck Wire Hanger Kit 4.38 IN	4	MR-S2-SD-XX	9124 017 01638	9124 016 55894	20
Waterfall Wire Hanger Kit, Twisted V (8.375")	4	MR-S2-WL-XX	9124 017 01639	9124 016 55895	20
Waterfall Wire Hanger Kit, Twisted V (5.5")	4	MR-S2-WS-XX	9124 017 01640	9124 016 88763	20
PIPP Rack Hanger Kit - ABS Tray (4" Spacing)	4	MR-S2-VS-XX	9124 017 01632	9124 016 88771	20
PIPP Rack Hanger Kit - ABS Tray with VAS (6" Spacing)	4	MR-S2-VL-XX	9124 017 01631	9124 016 56014	20
PIPP Rack Hanger Kit - ABS Tray with VAS Long (8" Spacing)	4	MR-S2-VL-XL	9124 017 01761	9124 017 01760	20
PIPP Rack Hanger Kit - Offset Drip/Flood Tray with VAS	4	MR-S2-VL-OS	9123 000 02431	9124 016 88773	20
PIPP Rack Hanger Kit - Offset Drip/Flood Tray	4	MR-S2-VS-OS	9124 017 01642	9124 016 88775	20

DIMMING SIGNAL CABLE (Power Supply to Dimming Control)

Description	Regional Commercial Code	Ordering PN (12NC) Single Pack (S)	Ordering PN (12NC) Bulk Pack (B)	Bulk Pack Carton Quantity
80 cm (31,5 IN) Dimming Signal Cable, Cca, Pigtail, M12 Connector	CCE-XXC3T2FL3X0.8	9124 017 01623	9124 016 55883	10

AC POWER CABLE (Power Supply to AC Line)

Description	Regional Commercial Code	Ordering PN 12NC Single Pack (S)	Ordering PN 12NC Bulk Pack (B)	Bulk Pack Carton Quantity
1,83 m (6 FT) AC Cable, VDE H07RN-F, Schuko Type F7 Plug, M19 Push Lock, 250 V AC	CAE-XXV3P9FF7P1.8	9124 017 01628	9124 016 55901	10
1,83 m (6 FT) AC Cable, VDE H07RN-F, Pigtail, M19 Push Lock (not for CE countries)	CAR-XXV3P9FL3X1.8	9124 017 01616	9124 016 88464	10
4,57 m (15 FT) AC Cable, VDE H07RN-F, Schuko Type F7 Plug, M19 Push Lock, 250 V AC	CAE-XXV3P9FF7P4.6	9124 017 01615	9124 016 88463	5
4,57 m (15 FT) AC Cable, VDE H07RN-F, Pigtail, M19 Push Lock (not for CE countries)	CAR-XXV3P9FL3X4.6	9124 017 01617	9124 016 88465	5
70 cm (27,6 IN) AC Cable, Dca, Pigtail, M19 Push Lock (400V CE application)	CAE-XXD3P9FL3X0.7	9124 017 01627	9124 016 55887	10



Review our products, share your grow and stay abreast of the latest Fluence news and product releases through the channels below:



[@Fluence_Global](#) | [@Fluence_LED](#)

fluence-led.com

© Copyright 2024. Fluence Bioengineering, Inc.