



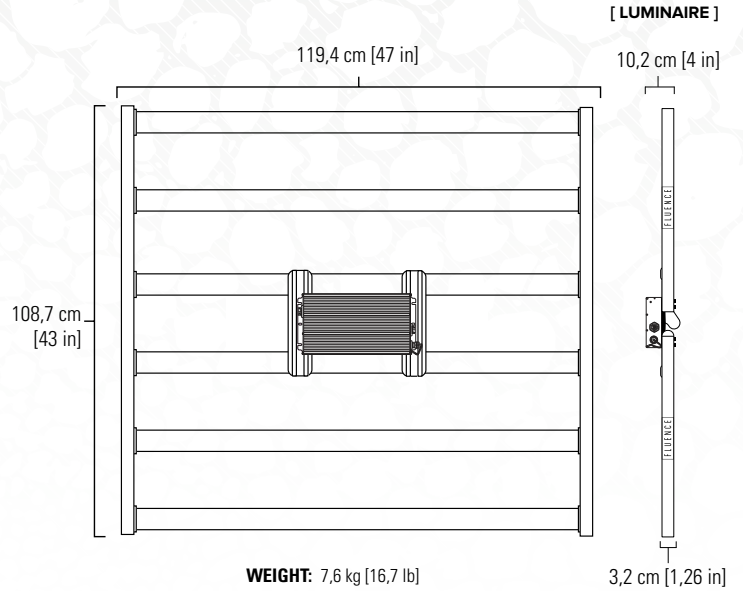
## SPYDR 2x47 EU

The **SPYDR 2 47" Series** is designed to optimize the LED light coverage for 40-inch wide grow benches and tables. Offering two levels of PPF light output and a variety of mounting options, it is a highly flexible grow light solution with easy installations for growers.

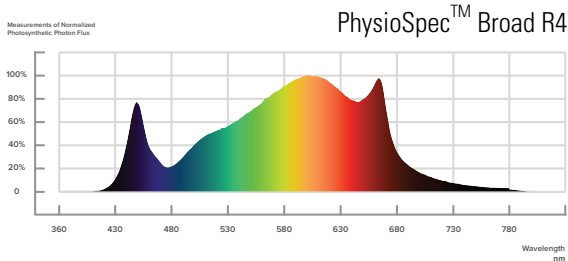


## SPECIFICATIONS

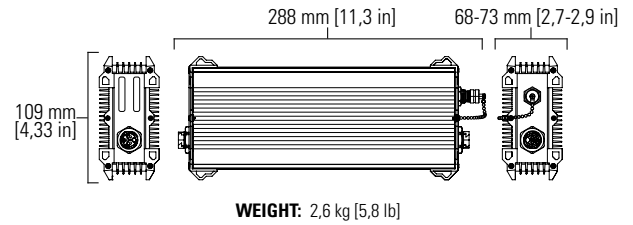
Light Source	LED
Spectrum	PhysioSpec™ Broad R4
Light Output PPF	860 μmol/s
Efficacy	2,4 μmol/J @230V and 2,5 μmol/J @400V AC
AC Input Power	348W @ 230V AC and 341W @ 400V AC
AC Input Voltage	230V AC, 400V AC, 50/60Hz
Nominal Power Factor	0,97 @ 230V AC, 0,93 @ 400V AC at 100% output
Nominal Mains Current	1,56 A @ 230V AC, 0,91 A @ 400V AC at 100% output
Light Distribution	120°
Mounting Height Above Canopy	15 cm - 30 cm [6" - 12"]
Thermal Management	Passive
Max. Ambient Temperature/Humidity	35°C [95°F], 90% RH
Dimming	Off/on 0/1-10 V sink dimming, source driver
Total Harmonic Distortion (THD)	< 10% at 100% output
Lifetime (Driver and LED L90)	> 50.000 hrs
IP Rating IEC 60598-1	IP66
Certifications	CE, UL 8800, IEC 60598-1
Warranty	5 Year Limited Warranty
Electrical Insulation	Class III (IEC 60598-1 Luminaire)



## SPECTRA



## [ PSU 230 AND 400 AC ]



**Disclaimer:** Performance values are from representative tests performed in accordance industry standards listed. Actual application performance may vary due to component tolerances and installation, environmental, and field measurements conditions.



## LIGHT BARS

Description	Regional Commercial Code	Ordering PN 12NC Single Pack (-S)	Ordering PN 12NC Bulk Pack (-B)	Bulk Pack Pallet Quantity
SPYDR, 2x47, Light Bar, R4	SR-2X47-I	9124 016 55427	9124 017 01649	15

## POWER SUPPLIES

AC Voltage	AC Connector Type	DC Current	Regional Commercial Code	Ordering PN 12NC Single Pack (-S)	Ordering PN 12NC Bulk Pack (-B)	Bulk Pack Pallet Quantity
230 V	M19	6,2 A	PLMG-V3B-320-062	9124 016 56230	9124 016 56264	30
400 V	M19	6,2 A	PHMG-V3B-320-062	9124 016 56232	9124 016 56266	30

## POWER SUPPLY ACCESSORIES

Description	Used with Power Supply	Regional Commercial Code	Ordering PN 12NC Single Pack (-S)	Ordering PN 12NC Bulk Pack (-B)	Bulk Pack Carton Quantity
320W PSU Fixture Mounting Bracket Kit	PLMG-V3B-320-062 PHMG-V3B-320-062	MF-S2-MB-3V	9124 017 01634	9124 016 55908	20
320W PSU Wall/Surface Mounting Kit	PLMG-V3B-320-062 PHMG-V3B-320-062	MS-PS-MB-3V	9124 016 56290	9124 016 56012	10

## DC CABLE (Fixture to Remote Power Supply)

Description	Regional Commercial Code	Ordering PN 12NC Single Pack (S)	Ordering PN 12NC Bulk Pack (B)	Bulk Pack Carton Quantity
0,91 m (3 FT) DC Extension Cable, M19 Push Lock	CDG-XXU2P9MP9F0.9	9124 017 01619	9124 016 55876	10
1,83 m (6 FT) DC Extension Cable, M19 Push Lock	CDG-XXU2P9MP9F1.8	9124 017 01620	9124 016 55880	10

## MOUNTING HARDWARE

Description	Pcs per kits	Regional Commercial Code	Ordering PN 12NC Single Pack (-S)	Ordering PN 12NC Bulk Pack (-B)	Bulk Pack Carton Quantity
Adjustable Hanging Kit	2	MT-SR-GM-05	9124 017 01641	9124 016 55893	10
Lance Wire Hanger Kit	2	MT-SR-M2-XX	9124 017 01633	9124 016 88765	20
Offset Solid Deck Mounting Kit	4	MR-S2-SD-OS	9124 017 01630	9124 016 88762	20
Solid Deck Wire Hanger Kit 4.38 IN	4	MR-S2-SD-XX	9124 017 01638	9124 016 55894	20
Waterfall Wire Hanger Kit, Twisted V (8.375")	4	MR-S2-WL-XX	9124 017 01639	9124 016 55895	20
Waterfall Wire Hanger Kit, Twisted V (5.5")	4	MR-S2-WV-XX	9124 017 01640	9124 016 88763	20
PIPP Rack Hanger Kit - ABS Tray (4" Spacing)	4	MR-S2-VS-XX	9124 017 01632	9124 016 88771	20
PIPP Rack Hanger Kit - ABS Tray with VAS (6" Spacing)	4	MR-S2-VL-XX	9124 017 01631	9124 016 56014	20
PIPP Rack Hanger Kit - ABS Tray with VAS Long (8" Spacing)	4	MR-S2-VL-XL	9124 017 01761	9124 017 01760	20
PIPP Rack Hanger Kit - Offset Drip/Flood Tray with VAS	4	MR-S2-VL-OS	9123 000 02431	9124 016 88773	20
PIPP Rack Hanger Kit - Offset Drip/Flood Tray	4	MR-S2-VS-OS	9124 017 01642	9124 016 88775	20

## DIMMING SIGNAL CABLE (Power Supply to Dimming Control)

Description	Regional Commercial Code	Ordering PN (12NC) Single Pack (S)	Ordering PN (12NC) Bulk Pack (B)	Bulk Pack Carton Quantity
80 cm (31,5 IN) Dimming Signal Cable, Cca, Pigtail, M12 Connector	CCE-XXC3T2FL3X0.8	9124 017 01623	9124 016 55883	10

## AC POWER CABLE (Power Supply to AC Line)

Description	Regional Commercial Code	Ordering PN 12NC Single Pack (S)	Ordering PN 12NC Bulk Pack (B)	Bulk Pack Carton Quantity
1,83 m (6 FT) AC Cable, VDE H07RN-F, Schuko Type F7 Plug, M19 Push Lock, 250 V AC	CAE-XXV3P9FF7P1.8	9124 017 01628	9124 016 55901	10
1,83 m (6 FT) AC Cable, VDE H07RN-F, Pigtail, M19 Push Lock (not for CE countries)	CAR-XXV3P9FL3X1.8	9124 017 01616	9124 016 88464	10
4,57 m (15 FT) AC Cable, VDE H07RN-F, Schuko Type F7 Plug, M19 Push Lock, 250 V AC	CAE-XXV3P9FF7P4.6	9124 017 01615	9124 016 88463	5
4,57 m (15 FT) AC Cable, VDE H07RN-F, Pigtail, M19 Push Lock (not for CE countries)	CAR-XXV3P9FL3X4.6	9124 017 01617	9124 016 88465	5
70 cm (27,6 IN) AC Cable, Dca, Pigtail, M19 Push Lock (400V CE application)	CAE-XXD3P9FL3X0.7	9124 017 01627	9124 016 55887	10



Review our products, share your grow and stay abreast of the latest Fluence news and product releases through the channels below:



[@Fluence\\_Global](#) | [@Fluence\\_LED](#)

[fluence-led.com](https://fluence-led.com)

© Copyright 2024. Fluence Bioengineering, Inc.