

QUICK INSTALLTION GUIDE

SPYDR 3 Series



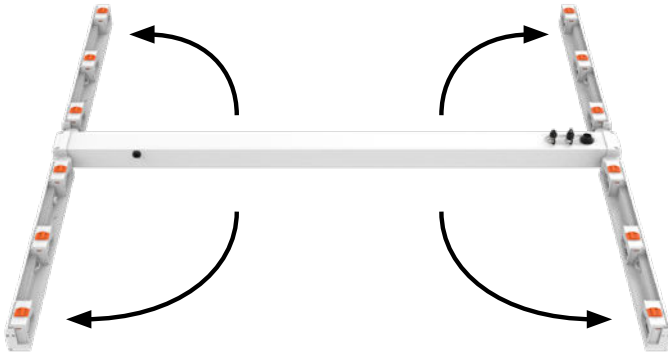
IMPORTANT: For your protection, you must carefully read all warnings and instructions entirely PRIOR TO installation, operation, service or maintenance. Failure to do so can result in personal injury and property damage.

1. LUMINAIRE INSTALLATION

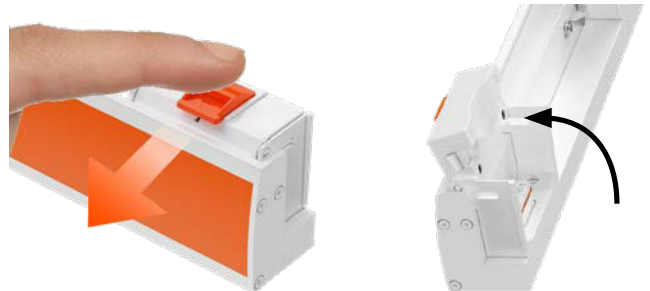
- 1 Remove the main assembly from carton and place on flush, stable surface.



- 2 Extend frame arms to 90 degree angle.



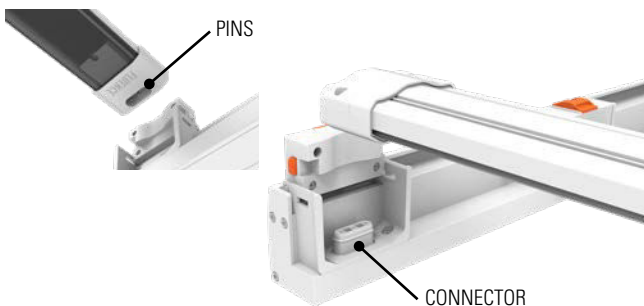
- 3 Press each light bar latch in the direction indicated by the arrow to unlock it, then rotate upward into the open position.



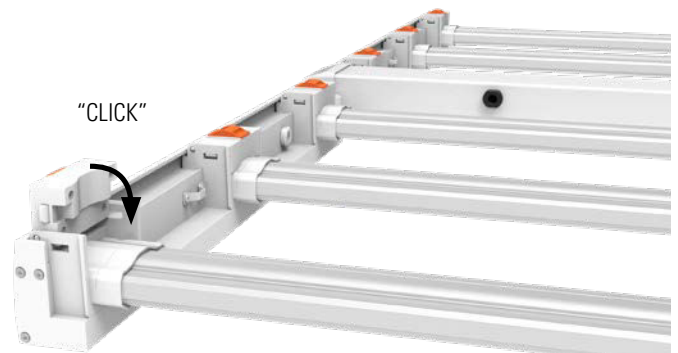
WARNING

Do not install or replace light bars while the system is energized. Ensure all power is disconnected prior to installation or replacement.

- 4 Insert light bar ends into the open latches on both sides. Ensure the alignment of the light bar pins with the corresponding latch with connectors.

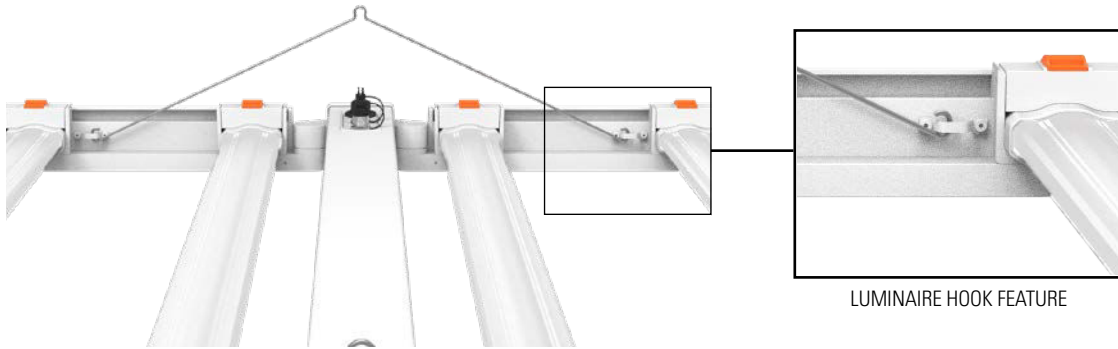


- 5 Press the light bar latch back down until you hear a "CLICK" locking the light bars in place.



2.1 MOUNTING INSTALLATION - LANCE HANGER

- 1 Install the standard Lance Hanger mounting kit on both sides of the luminaire, securing it into the designated mounting slots on the frame.



- 2 Using two people, lift and install the fixture onto the rack or mounting infrastructure.



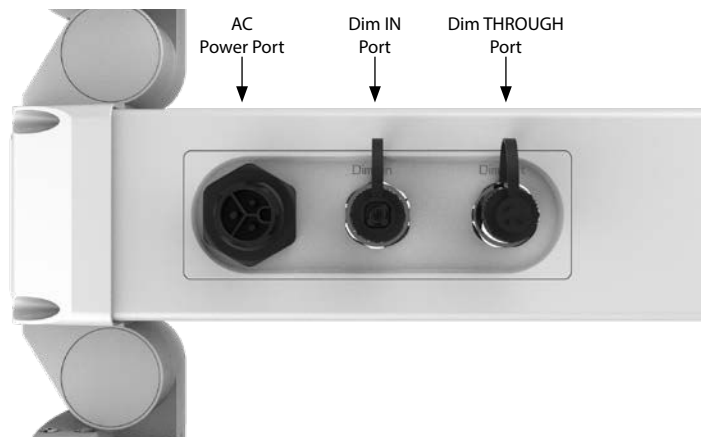
! WARNING

Allow a minimum of 4 in. [10 cm] clearance between the luminaire frame and the mounting infrastructure to provide adequate cable clearance around connection points. If used in conjunction with Fluence Wireless Flex Dimming G2 without a 90-degree adapter, allow an additional 1.5 in. [4 cm] of clearance.

- 3 Plug the power cord into the AC power port on the SPYDR

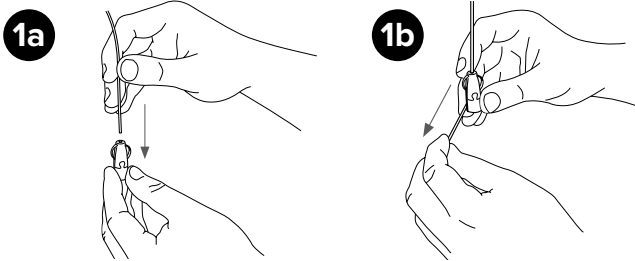
3: Match up the keyed pins on the cable (male to female) to the receptacle and push it on until you hear a "click". **Do NOT plug in AC power BEFORE connecting the power cord.**

- 4 If connecting a dimmer system remove the dust cap and use the Dim IN port. The Dim THROUGH port can be used to control dimming of multiple SPYDR 3 fixtures. See Spec Sheet for usage and limitations.

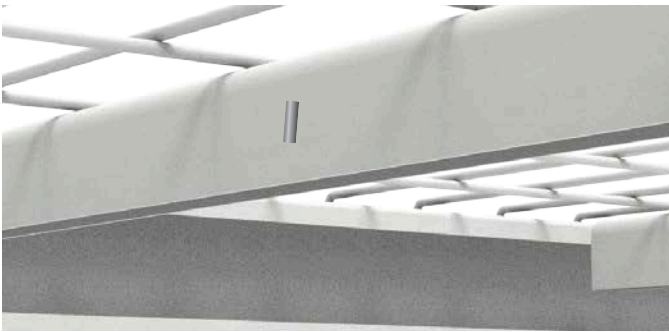


2.2 MOUNTING INSTALLATION - 4-POINT MOUNTING KIT

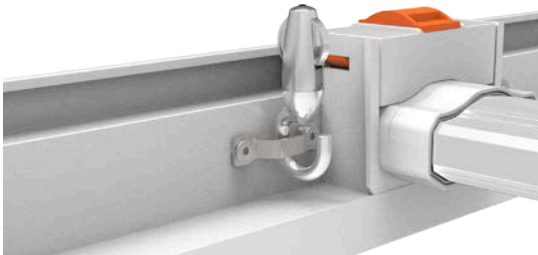
- 1 A. Feed the aircraft cable through the entry point of the Angel™ Hook until it exits the opposite side, following the directional arrows marked on the hook body. Ensure the cable passes through completely and the internal locking mechanism engages.
B. Pull firmly on the cable to confirm a secure lock. Repeat for each suspension point, ensuring all hooks are properly aligned and evenly tensioned for balanced support. Ensure a minimum 7.5 cm [3 in] of wire exists the hook.



- 2 Wrap the crimped loop end of the aircraft cable around the designated mounting structure close to the intended suspension locations.



- 3 Align the Angel™ Hook with the integrated suspension features on the SPYDR 3 frame. Insert the hook into the designated mounting slots until it is fully seated and secure. Ensure all hooks are properly engaged and adjust to level the fixture.

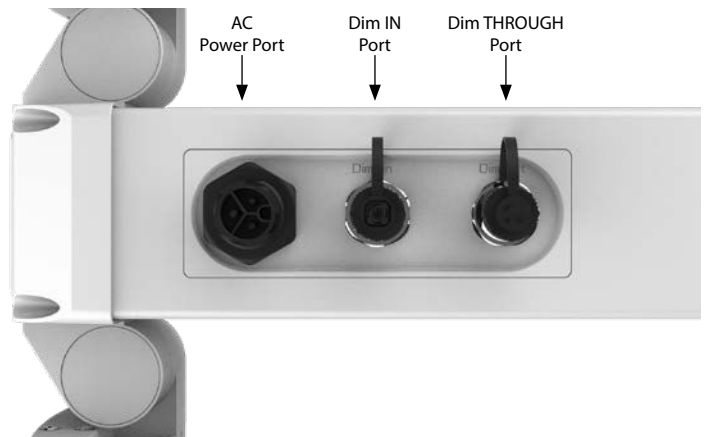


⚠ WARNING

Improper hook orientation may cause the fixture to disconnect from the aircraft cable if impacted from below, resulting in fixture fall and potential serious injury or property damage. To avoid this hazard, when the aircraft cable is installed at an angle, insert the hook with the back side fully engaged into the slot as shown.

- 4 **Plug the power cord into the AC power port on the SPYDR 3:** Match up the keyed pins on the cable (male to female) to the receptacle and push it on until you hear a “click”. **Do NOT plug in AC power BEFORE connecting the power cord.**

- 5 If connecting a dimmer system remove the dust cap and use the Dim IN port. The Dim THROUGH port can be used to control dimming of multiple SPYDR 3 fixtures. See Spec Sheet for usage and limitations.



CAUTIONS AND WARNINGS

WARNING

Installation and electrical connection shall be performed by a qualified electrician in accordance with all applicable national, state, and local electrical and building codes and regulations.

- Disconnect power at the source before installing, moving, servicing, or cleaning the product.
- DO NOT connect the system to live power until installation is complete.
- DO NOT disconnect cables or components while energized.

Failure to follow these instructions may result in serious injury or risk of electric shock.

- Ensure the luminaire is properly grounded in accordance with all applicable electrical codes. Improper grounding may result in electric shock, equipment failure, or fire hazard.
- Use only branch circuits and overcurrent protection devices appropriate for the system rating.
- Follow proper wiring methods for connection to branch circuits in accordance with all applicable electrical codes.

To prevent overheating and fire hazards, maintain the following minimum distances:

- Between luminaires: 5 in [13 cm]
- From combustible materials (walls, ceilings, partitions): 2 ft [60 cm]
- From other heat-generating equipment: 2 ft [60 cm]

CHEMICAL EXPOSURE PRECAUTION

Fluence lighting systems are designed to be resilient against crop protection products. Many chemicals used in the Commercial Horticultural Industry are corrosive to electronic equipment. If the luminaire is accidentally exposed to a corrosive liquid or vapor (e.g. VOC –Volatile Organic Compound and H₂S – Hydrogen Sulfide) the luminaire must be rinsed with clean water as soon as possible. The product warranty will no longer apply if the product is exposed or remains in the corrosive environment. It is recommended the luminaires be removed and protected from the corrosive environment during all periods of disinfection or sanitization of the facility.

CALIFORNIA PROPOSITION 65 WARNING

WARNING: This product contains chemicals known to the State of California to cause cancer and birth defects or other reproductive harm.

For more information: www.P65Warnings.ca.gov.

PHOTOBIOLOGICAL HAZARD SAFETY

This product emits high-intensity light suitable for plant growth. Follow all photobiological safety labeling and warnings provided on the product. Avoid direct eye exposure to the light source. It is the responsibility of the facility operator to implement appropriate safety measures based on fixture quantity, placement, and operating conditions.

Photobiological safety of lamps and lamp systems (IEC/EN 62471 and TR 62778). This International Standard describes the photobiological safety of lamps and lamp systems including luminaires. The rating of this product according to this standard can be found in the table below.

Product	Radiation hazard - Actinic UV 200-400 nm	Radiation hazard - Retinal Blue Light (small source) 300-700 nm	Minimum viewing distance (meter/inch)	All Other Radiation Hazards
SPYDR 3	Exempt Group (None)	Risk Group 1 (Low)	N/A	Exempt Group (None)



ETL Rating: SPYDR 3 fixtures are rated suitable for wet locations. A “wet location” is defined as an interior or exterior location in which water or other liquids may drip, splash or flow on or against the electrical components of a lighting fixture. SPYDR 3 Series luminaires are certified to meet UL standards (ETL) from the Intertek safety consulting and certification company. Systems are cETL listed and are rated IP66 by IEC standard 60598-1.

PRODUCT GUARANTEE & WARRANTY

Every Fluence Lighting system is engineered and built by Fluence Bioengineering using state-of-the-art robotics and hand craftsmanship. All Fluence Lighting systems are guaranteed against manufacturing defects for five years from date of purchase. Fluence lighting systems comply with applicable standards and are intended to be used with Fluence power supplies, cables and mounting hardware. The use of Fluence lighting systems with power supplies, cables and mounting hardware by others will limit specifications and void the warranty. Contact us at support@fluence-led.com for more warranty information.

We stand behind our research, we stand behind our technology and we stand behind our clients. <https://fluence-led.com/warranty/>

Review our products, share your grow and stay abreast of the latest Fluence news and product releases through the channels below:

www.fluence-led.com



Improper ventilation may result in overheating and risk of fire.

- LED modules and heat sink surfaces may become hot during operation.
- Ensure adequate airflow and ventilation around all luminaires.
- The installation environment must be controlled to remain below this limit.
- Refer to the product specification sheet for the maximum ambient operating temperature for safe operation.

Use only approved power supply flexible cords with molded cable connectors provided by Fluence.

Cords shall:

- Not be concealed within walls, floors, or ceilings;
- Not be installed above suspended or dropped ceilings;
- Not be permanently affixed to building structures;
- Be routed to avoid strain and protected from physical damage;
- Remain visible along their entire length; and
- Be used within their rated ampacity for the ambient temperature.

This luminaire is intended for horticultural lighting applications only.

DO NOT modify or alter the product. Doing so will void the warranty and may create unsafe conditions.

Retain these instructions for future reference. Ensure all users are familiar with safe installation and operating procedures.



© Copyright 2026. Fluence Bioengineering, Inc.
062026

Fluence is a Signify Brand