

SPYDR e

The **SPYDR e** is a Multi-Tier (MT) flower luminaire features a sleek, foldable 6-bar frame engineered for easy handling and installation. Its anodized aluminum driver compartment and integrated LED heatsinks deliver reliable and efficient thermal management. Designed for streamlined connectivity, the MT includes an M19 AC power connector and dual 0–10V M12 dimming ports, enabling multiple fixtures to be daisy-chained for unified dimming control.

SPECIFICATIONS

Light Source	LED
Spectrum	PhysioSpec™ Broad R5
Light Output PPF	Up to 1,775 μmol/s
Efficacy	Up to 2.77 μmol/J
AC Input Power	From 320 W to 620 W
Light Distribution	Lambertian
Max. Ambient Temperature/Humidity	-10°C to +35°C (14°F to +95°F).
Dimming	Source Signal Driver, 0-10 V, Dim to Off / Dimming: 10-100% (M12 Port)
Total Harmonic Distortion (THD)	< 10% at 100% output
Lifetime (Driver and LED L90)	> 50,000 hrs
IP Rating IEC 60529	IP65
Certifications	UL 8800, CE/CB, DLC
Warranty	5 Year Limited Warranty
DLC Reported Application Position/Use case	Indoor (Stacked and Non-Stacked) or Top light, Sole-source

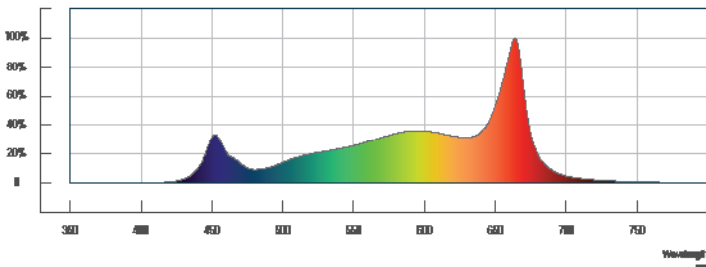
Performance Table

Model	PhysioSpec™ Spectrum	PPF Output [μmol/s]	Wattage @277V [W]	Efficacy [μmol/J]
MT 320W	Broad R5	922	320	2.77
MT 620W	Broad R5	1,775	620	2.76

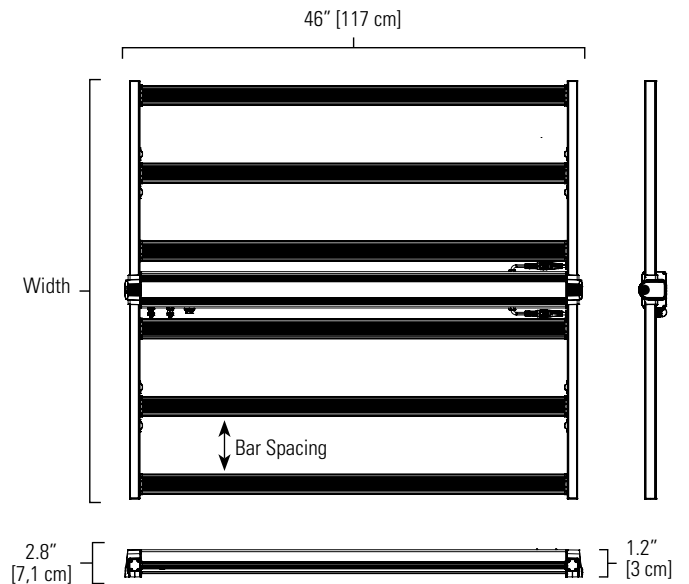
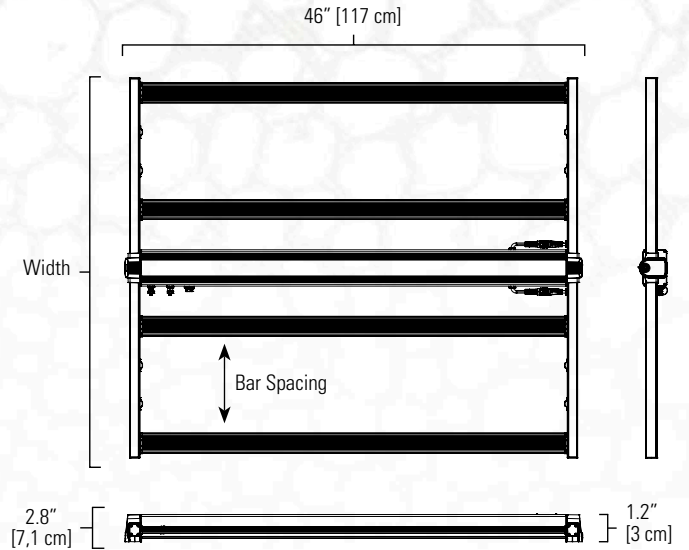
Disclaimer: Performance values are from representative tests performed in accordance industry standards listed. Actual application performance may vary due to component tolerances and installation, environmental, and field measurements conditions.

SPECTRA

PhysioSpec™ Broad R5



DIMENSIONS



Model	System Weight	# of Bars	Bar Spacing	Width Dim.
MT 320W	14.3 lbs [6,5 kg]	4	12" [30.5 cm]	39" [109.2 cm]
MT 620W	18.7 lbs [8,5 kg]	6	8" [20.3 cm]	43" [99.2 cm]



Contact **FLUENCE**
support@fluence-led.com
www.fluence-led.com/products/spydr-series

Ordering Guide

Family	Wattage	PhysioSpec™ SPECTRUM	INPUT VOLTAGE
MT MULTI-TIER	320 320W, 46" x 39"	BW5 BROAD R5	LV 120-277 V AC
	620 620W, 46" x 43"		HV 277-480 V AC

1. Extended lead time applies. Consult Fluence operations for details.

LUMINAIRE

Description	Recommended Applications	Regional Catalog Code	Ordering PN 12NC Single Pack
SPYDR e Multi-Tier,320W,R5,120-277V	Vegetative (560 PPF/D)	MT-320-R5-LV	9124 017 07185 (NAM) 9124 017 02560 (EMEA)
SPYDR e Multi-Tier,320W,R5,277-480V		MT-320-R5-HV	9124 017 07186 (NAM) 9124 017 02561(EMEA)
SPYDR3i47,BW45,120-277V,SP	Flowering (1,100 PPF/D)	MT-620-R5-LV	9124 017 07187 (NAM) 9124 017 02562 (EMEA)
SPYDR3i47,BW45,208-480V,SP		MT-620-R5-HV	9124 017 07188 (NAM) 9124 017 02563 (EMEA)

MOUNTING HARDWARE

Description	Pcs per kits	Regional Commercial Code	Ordering PN 12NC Single Pack (-S)	Ordering PN 12NC Bulk Pack (-B)	Bulk Pack Carton QTY
Adjustable Lance Hanging Kit	2	MT-SR-GM-05	9124 017 01641	9124 016 55893	10
Lance Wire Hanger Kit	2	MT-SR-M2-XX	9124 017 01633	9124 016 88765	20
Offset (4.38" to 5.38") Solid Deck Mounting Kit	4	MR-S2-SD-OS	9124 017 01630	9124 016 88762	20
4.38" Solid Deck Mounting Kit	4	MR-S2-SD-XX	9124 017 01638	9124 016 55894	20
Adjustable 4-Point VAS Mounting Kit	4	MR-S3-VL-AJ	9124 017 07102		N/A

DIMMING SIGNAL CABLE

Description	Region	Regional Commercial Code	Ordering PN 12NC Single Pack (S)	Ordering PN 12NC Bulk Pack (B)	Bulk Pack Carton Quantity
11 IN (28 cm) Dimming Signal Cable, Pigtail, M12 Connector	North America	CCA-XXU3T2FL3X0.3	9124 017 01621	9124 016 55902	10
5 FT (1.52 m) Dimming Signal Cable, Pigtail, M12 Connector	North America	CCA-XXU3T2FL3X1.5	9124 017 01622	9124 016 55881	10
80 cm (31,5 IN) Dimming Signal Cable, Cca, Pigtail, M12 Connector	Europe/ROW	CCE-XXC3T2FL3X0.8 ¹	9124 017 01623	9124 016 55883	10
5 FT (1.5 m) Dimming Signal Cable, Daisy Chain, M12 Connector, M/F	North America	CDA-S3U3T2FT2M1.5	9124 017 07167	9124 017 07168	5

1. Extended leadtime applies. Consult Fluence operations for details.



Contact **FLUENCE**
support@fluence-led.com
www.fluence-led.com/products/spydr-series

AC POWER CABLE (Power Supply to AC Line)

Description	Regional Commercial Code	Ordering PN 12NC Single Pack (S)	Ordering PN 12NC Bulk Pack (B)	Bulk Pack Carton Quantity
6 FT (1.83 m) AC Extension Cable, NEMA 5-15P Plug, M19 Push Lock, Max 125 V AC	CAA-XXU3P9FN5P1.8	9124 017 01611	9124 016 88454	10
6 FT (1.83 m) AC Extension Cable, NEMA 6-15P Plug, M19 Push Lock, Max 250 V AC	CAA-XXU3P9FN6P1.8	9124 017 01613	9124 016 88456	10
6 FT (1.83 m) AC Extension Cable, NEMA L7-15P Plug, M19 Push Lock, Max 277 V AC	CAA-XXU3P9FL7P1.8	9124 017 01625	9124 016 55898	10
6 FT (1.83 m) AC Extension Cable, Pigtail, M19 Push Lock, Max 480 V AC	CAA-XXU3P9FL3X1.8	9124 017 01624	9124 016 55875	10
15 FT (4.57 m) AC Extension Cable, NEMA 5-15P Plug, M19 Push Lock, Max 125 V AC	CAA-XXU3P9FN5P4.6	9124 017 01612	9124 016 88455	5
15 FT (4.57 m) AC Extension Cable, NEMA 6-15P Plug, M19 Push Lock, Max 250 V AC	CAA-XXU3P9FN6P4.6	9124 017 01614	9124 016 88457	5
15 FT (4.57 m) AC Extension Cable, NEMA L7-15P Plug, M19 Push Lock, Max 277 V AC	CAA-XXU3P9FL7P4.6	9124 017 01626	9124 016 55899	5
15 FT (4.57 m) AC Extension Cable, Pigtail, M19 Push Lock, Max 480 V AC	CAA-XXU3P9FL3X4.6	9124 017 01610	9124 016 88461	5
6 FT (1.83 m) AC Cable, AXH3, Type I SAA Plug, M19 Push Lock Female	CAZ-XXS3P9FTIP1.8 ¹	9124 017 01618	9124 016 88467	10
6 FT (1.83 m) AC Cable, VDE H07RN-F, Pigtail, M19 Push Lock (CE countries)	CAR-XXV3P9FL3X1.8 ¹	9124 017 01616	9124 016 88464	10
15 FT (4.57 m) AC Cable, VDE H07RN-F, Pigtail, M19 Push Lock (CE countries)	CAR-XXV3P9FL3X4.6 ¹	9124 017 01617	9124 016 88465	5

1. Extended leadtime applies. Consult Fluence operations for details.



Contact **FLUENCE**
support@fluence-led.com
www.fluence-led.com/products/spydr-series